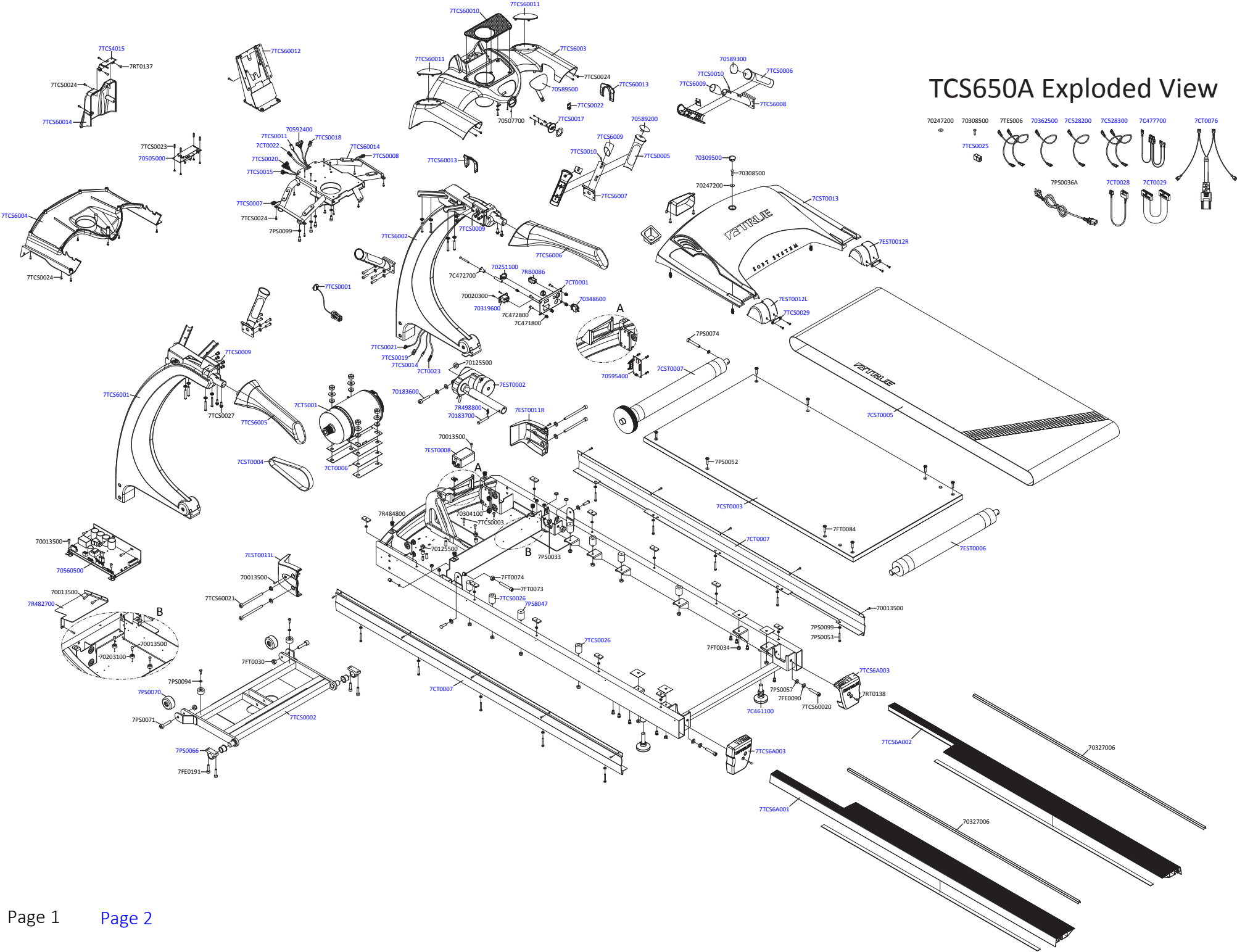
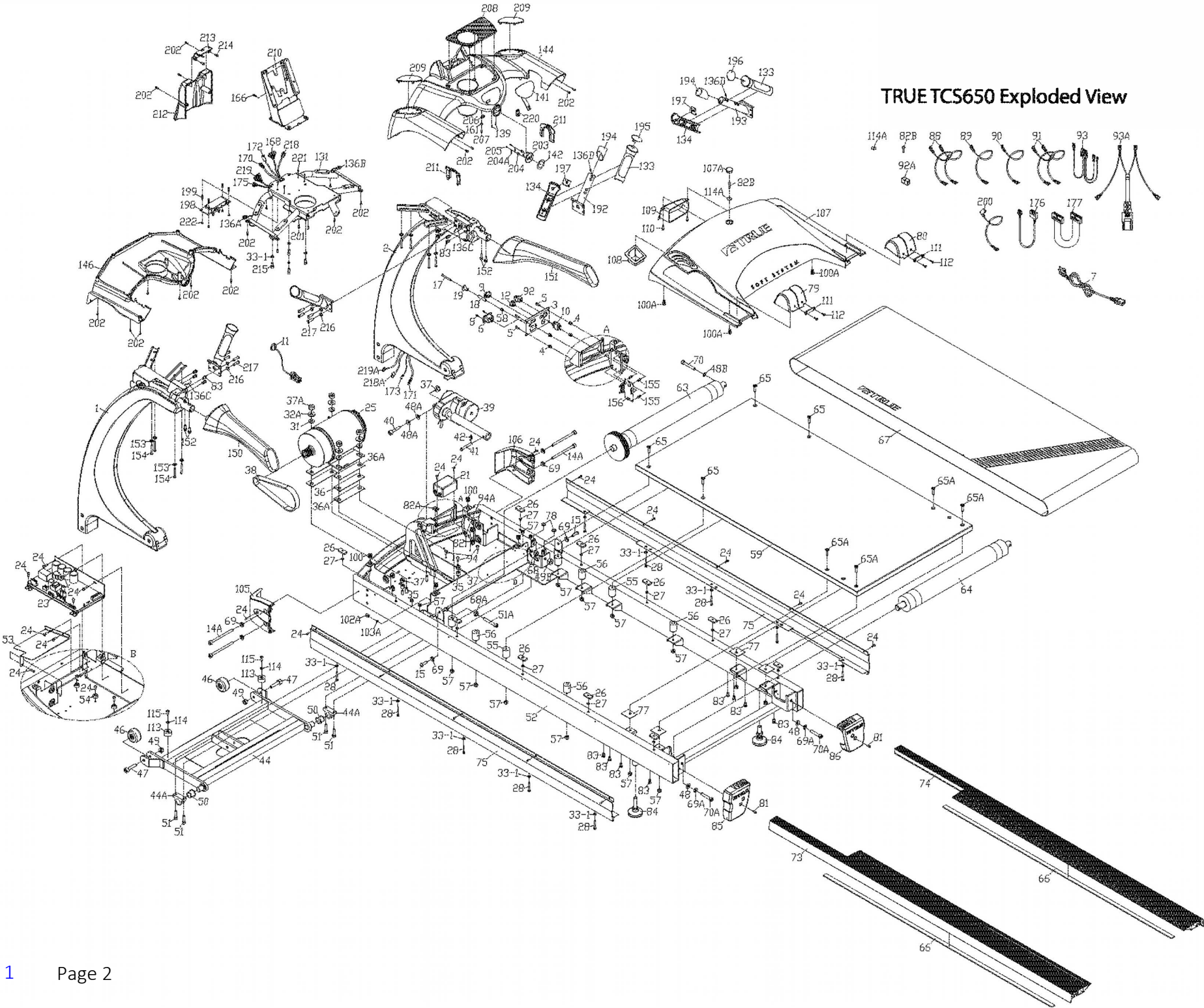


TCS650A Exploded View



TRUE TCS650 Exploded View

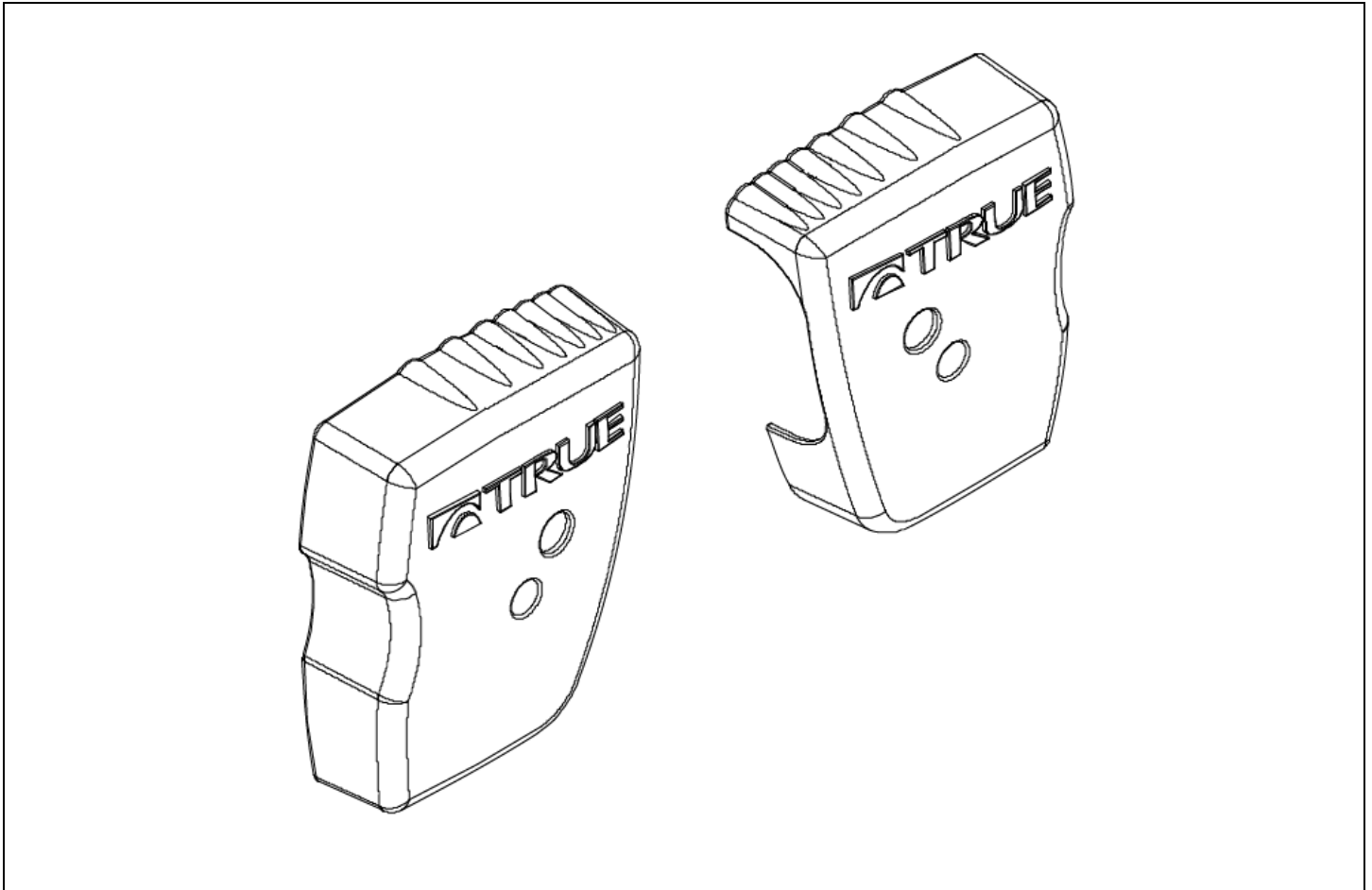




TRUE FITNESS®

TRUE Part No: **7TCS6A003**

Straddle Cover End Caps



Bill of Material:

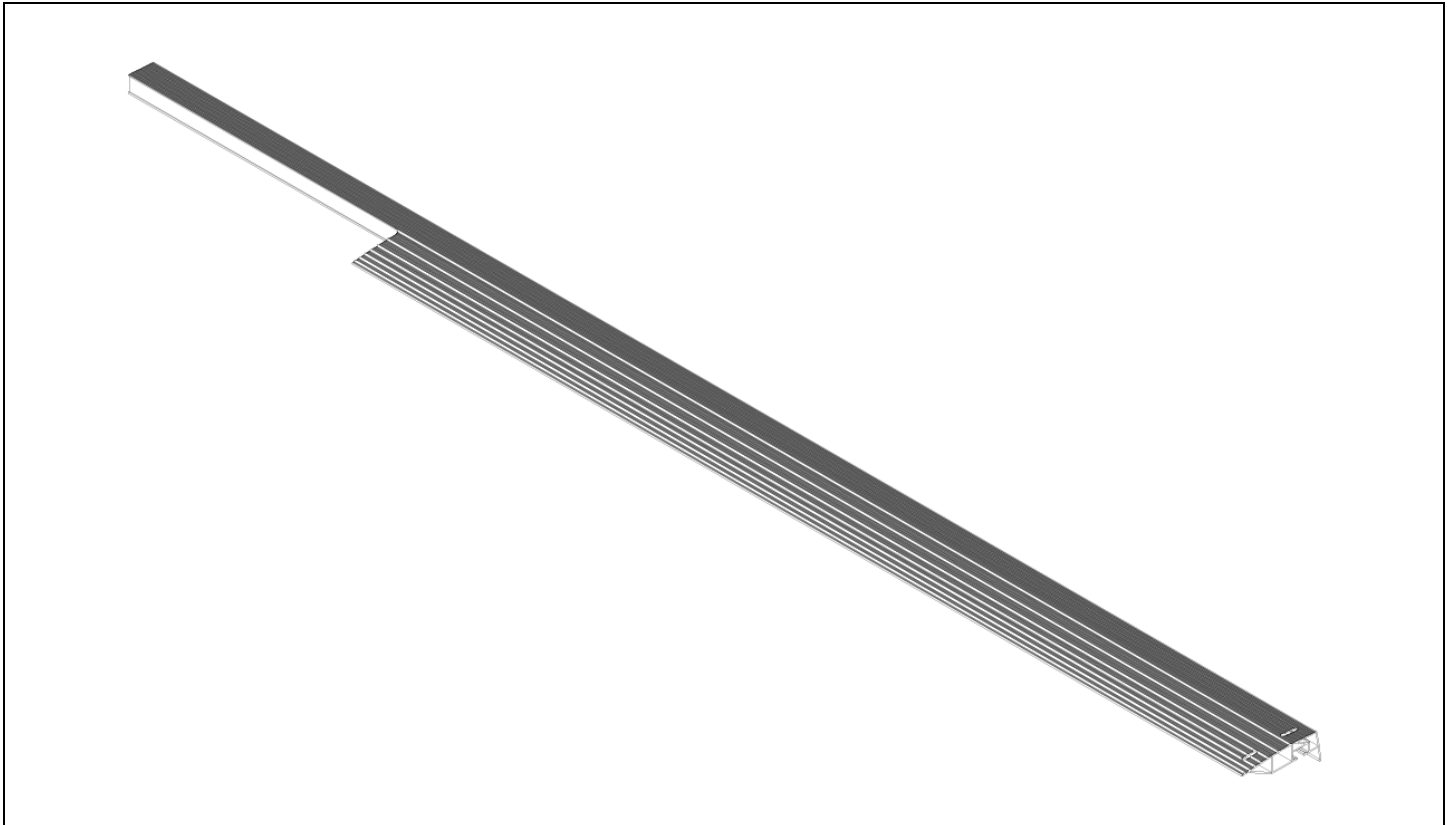
Key No	Vendor Part No.	TRUE Part Number	Description	Qty
85/86	N/A	7TCS6A003	Straddle Cover End Caps	1



TRUE FITNESS®

TRUE Part No: **7TCS6A002**

Right Straddle Cover



Bill of Material:

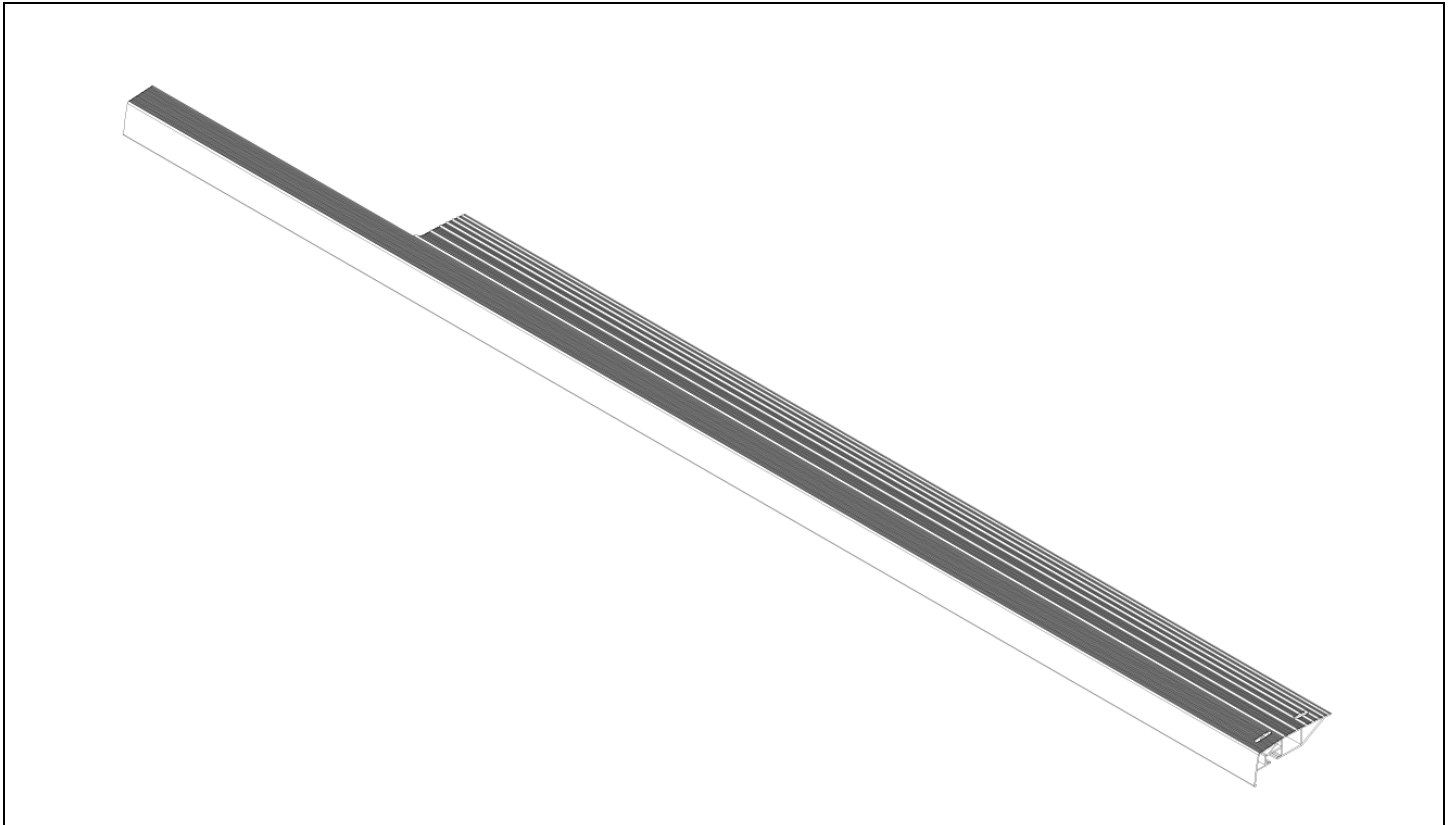
Key No	Vendor Part No.	TRUE Part Number	Description	Qty
74	N/A	7TCS6A002	Right Straddle Cover	1



TRUE FITNESS®

TRUE Part No: **7TCS6A001**

Left Straddle Cover



Bill of Material:

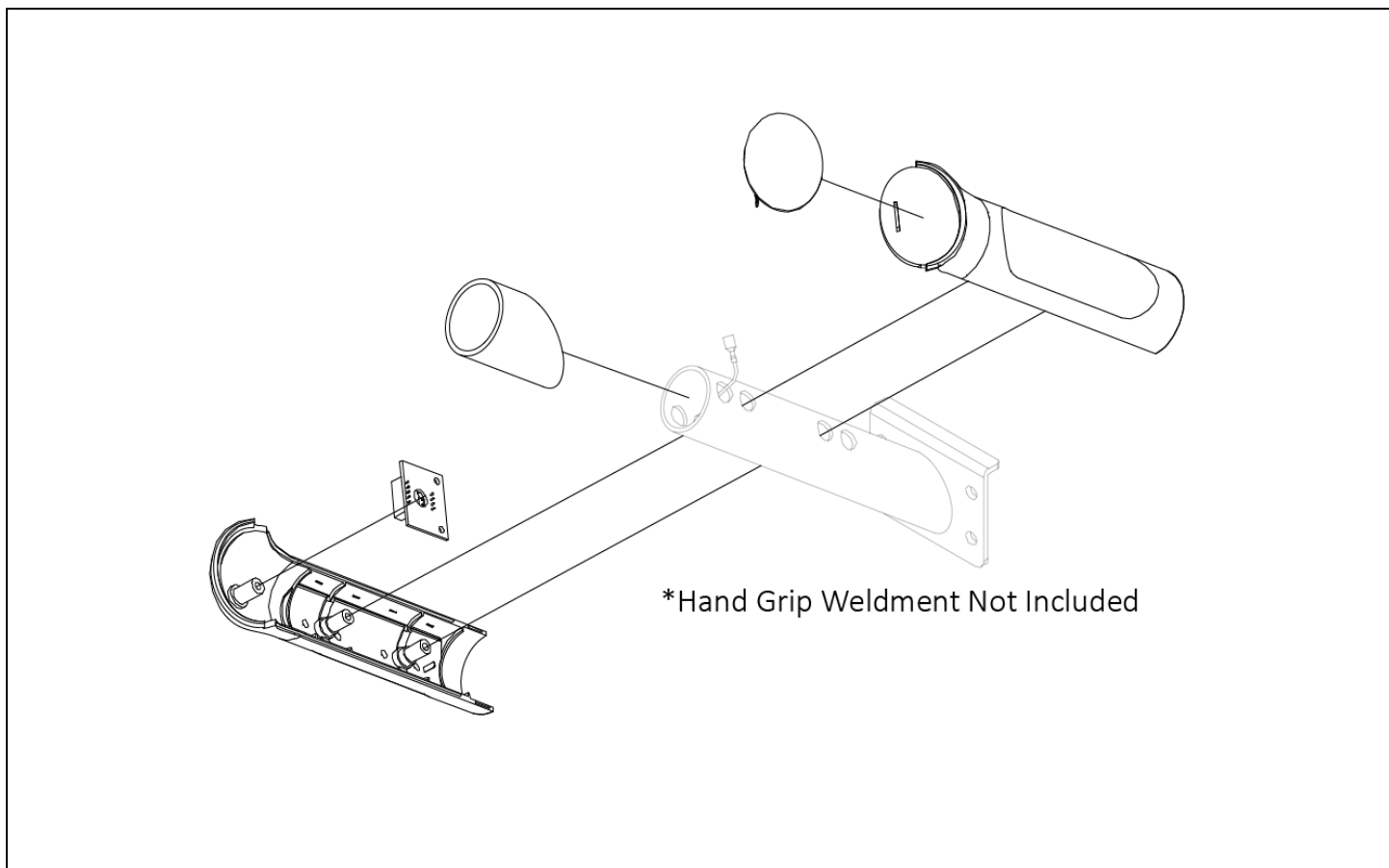
Key No	Vendor Part No.	TRUE Part Number	Description	Qty
73	N/A	7TCS6A001	Left Straddle Cover	1



TRUE FITNESS®

TRUE Part No: **7TCS0006**

Right Contact HR Grip Assembly



Bill of Material:

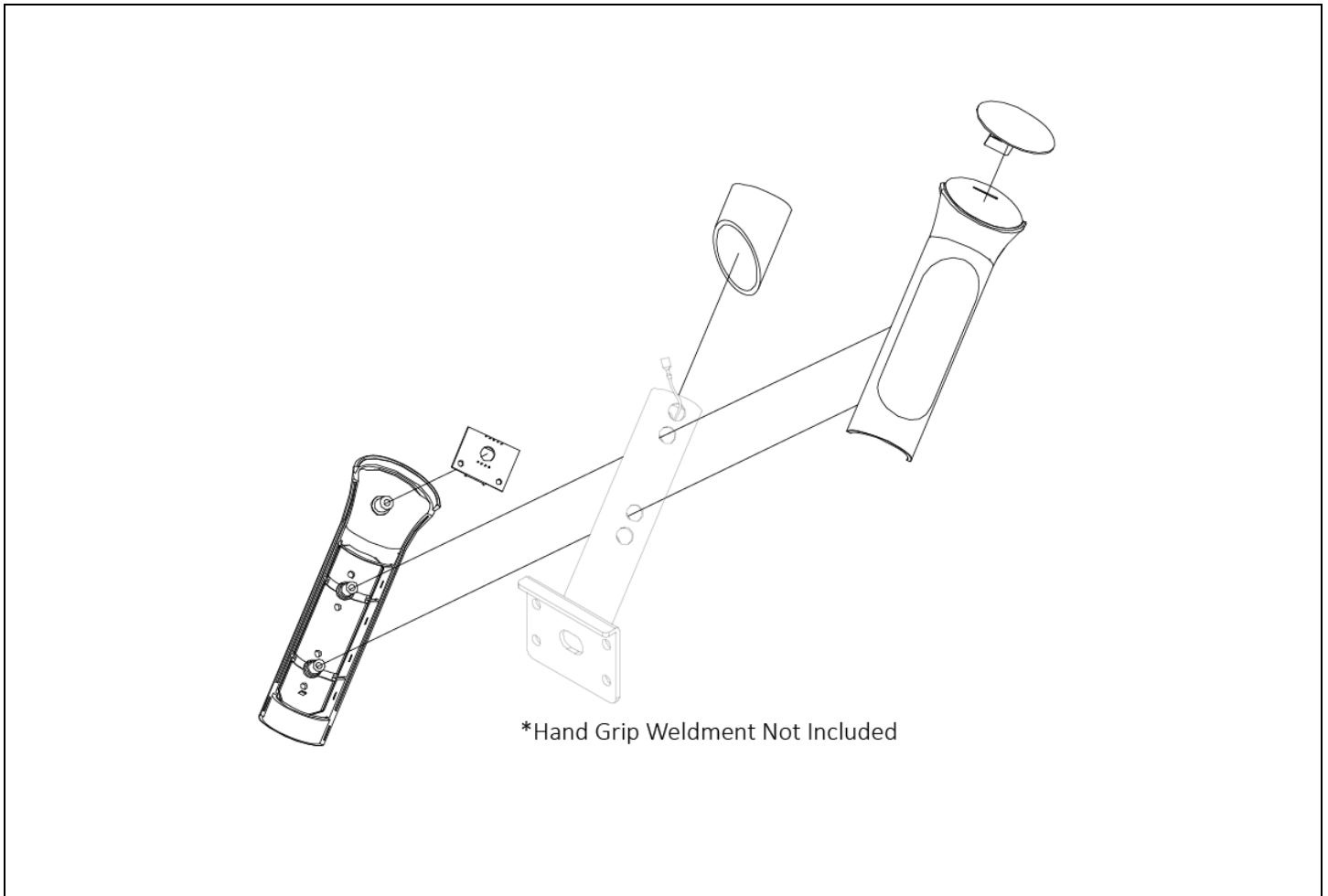
Key No	Vendor Part No.	TRUE Part Number	Description	Qty
133	P-3552	N/A	CHR Plastic Top	1
134	P-3553	N/A	CHR Plastic Bottom	1
125	XEK-289	N/A	CHR Grip Board	1
124	RD-02-0006	N/A	Click Touch Thumbswitch (Right) Speed	1



TRUE FITNESS®

TRUE Part No: **7TCS0005**

Left Contact HR Grip Assembly



Bill of Material:

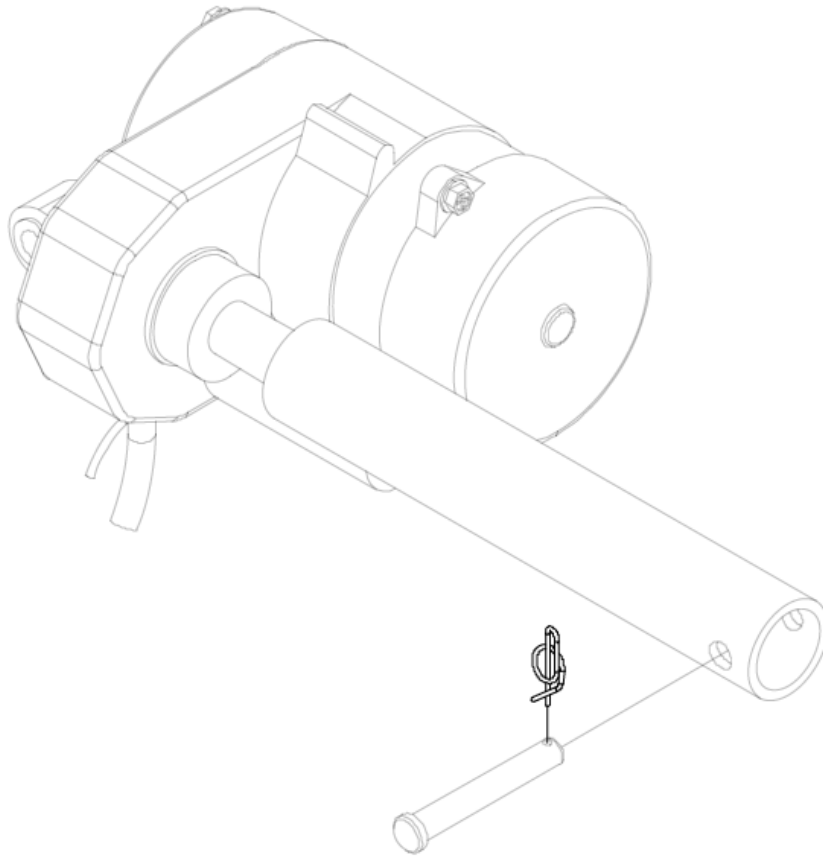
Key No	Vendor Part No.	TRUE Part Number	Description	Qty
133	P-3552	N/A	CHR Plastic Top	1
134	P-3553	N/A	CHR Plastic Bottom	1
125	XEK-289	N/A	CHR Grip Board	1
123	RD-02-0005	N/A	Click Touch Thumbswitch (Left) Incline	1



TRUE FITNESS®

TRUE Part No: **7R498800**

3/8" Pivot Point Cotter Pin



*Incline Motor & Clevis Pin Not Included

Bill of Material:

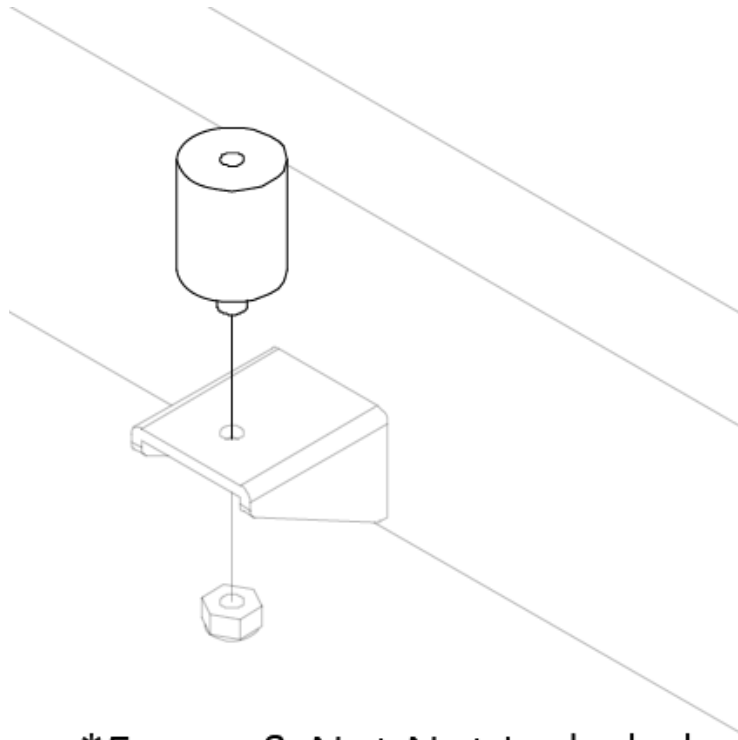
Key No	Vendor Part No.	TRUE Part Number	Description	Qty
42	SK-514	7R498800	3/8" Pivot Point Cotter Pin	1



TRUE FITNESS®

TRUE Part No: **7PS8047**

Long Deck Bumper



*Frame & Nut Not Included

Bill of Material:

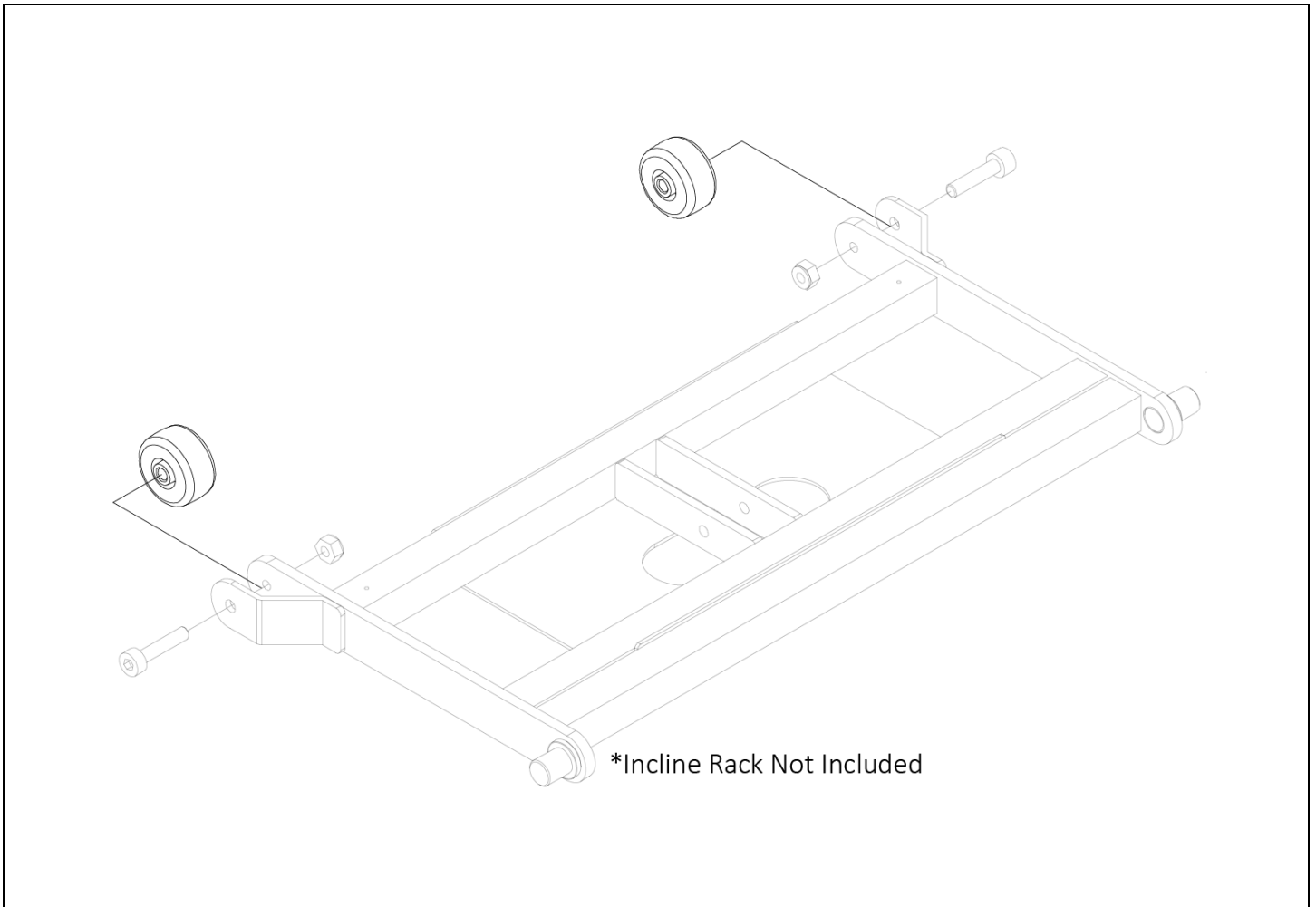
Key No	Vendor Part No.	TRUE Part Number	Description	Qty
55	P-1301F	7PS8047	Long Deck Bumper	1



TRUE FITNESS®

TRUE Part No: **7PS0070**

Transport Wheel 10x60x30



Bill of Material:

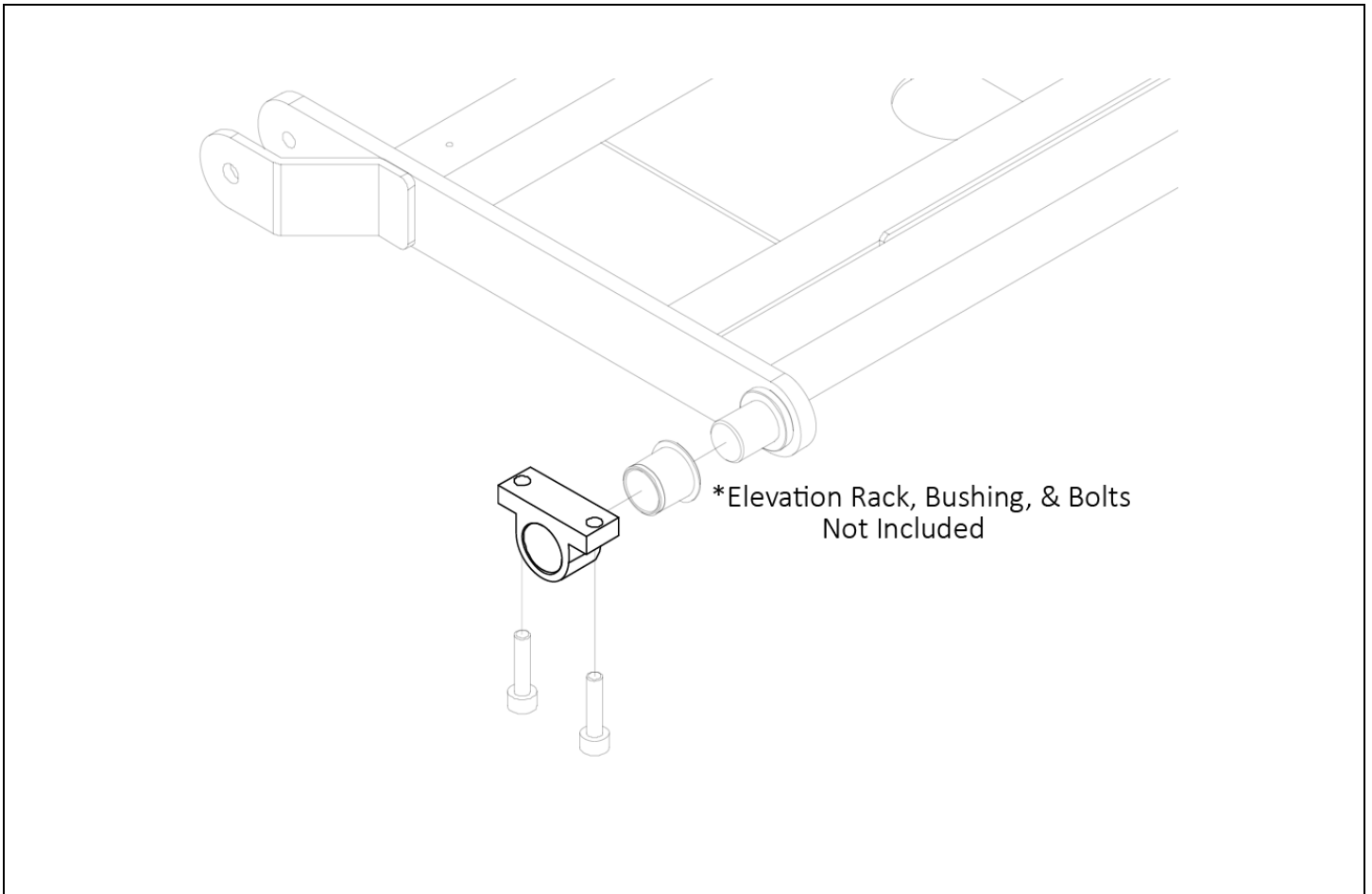
Key No	Vendor Part No.	TRUE Part Number	Description	Qty
46	PB-00-003	7PS0070	Transport Wheel 10x60x30	1



TRUE FITNESS®

TRUE Part No: **7PS0066**

Incline Pivot Block



Bill of Material:

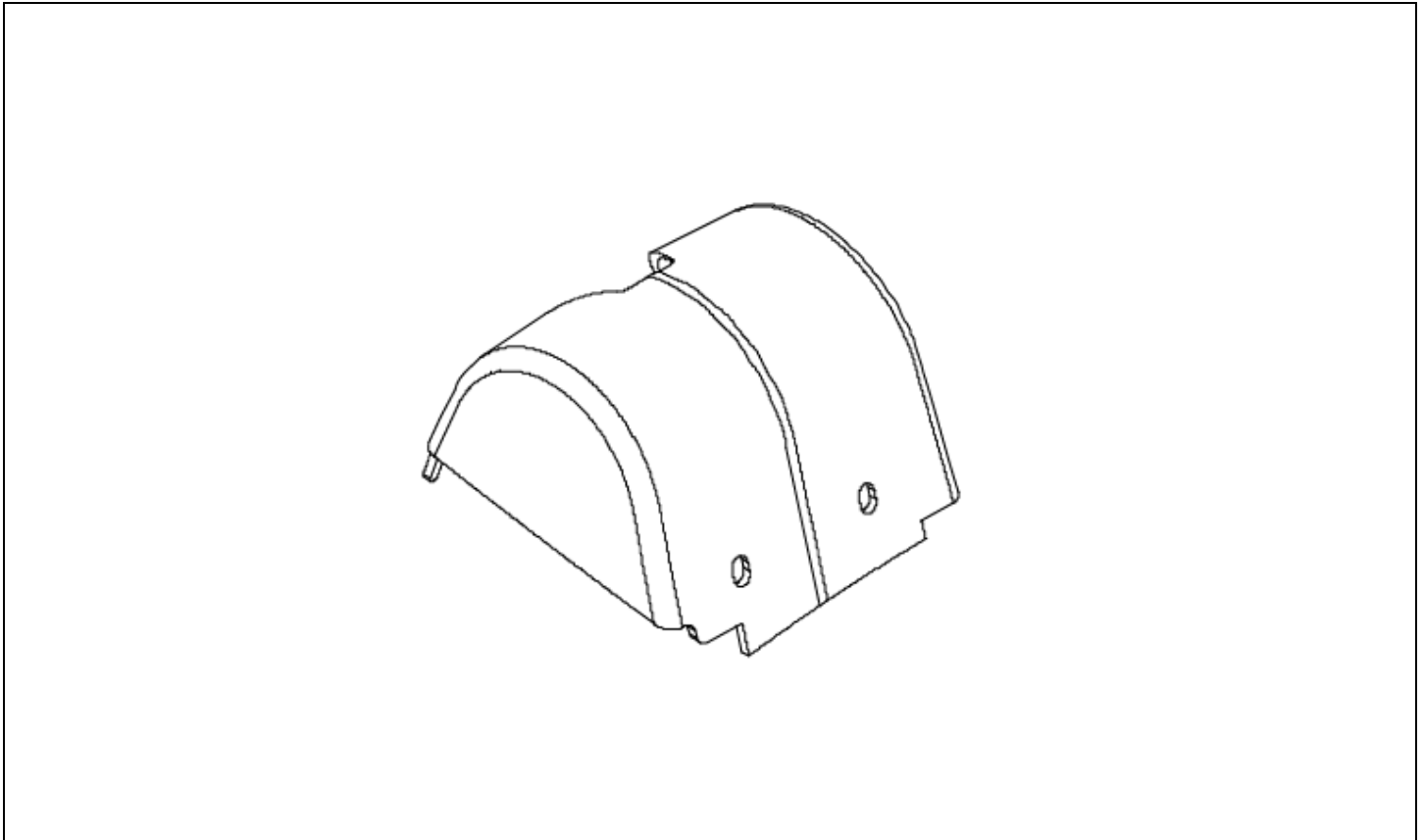
Key No	Vendor Part No.	TRUE Part Number	Description	Qty
44A	NT-1000	7PS0066	Incline Pivot Block	1



TRUE FITNESS®

TRUE Part No: **7EST0012R**

Right Pedestal Pivot Trim



Bill of Material:

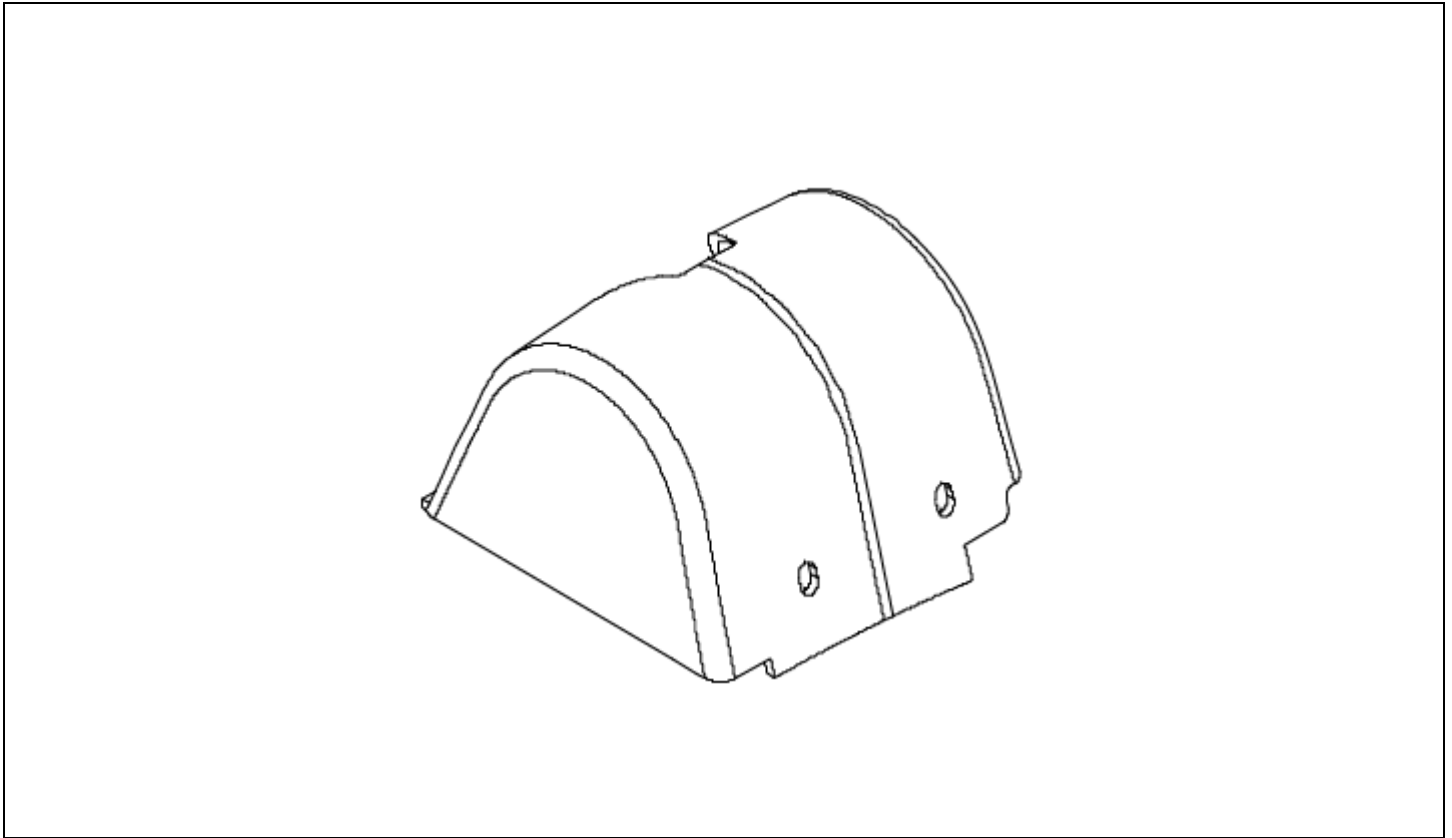
Key No	Vendor Part No.	TRUE Part Number	Description	Qty
80	P-2601R	7EST0012R	Right Pedestal Pivot Trim	1



TRUE FITNESS®

TRUE Part No: **7EST0012L**

Left Pedestal Pivot Trim



Bill of Material:

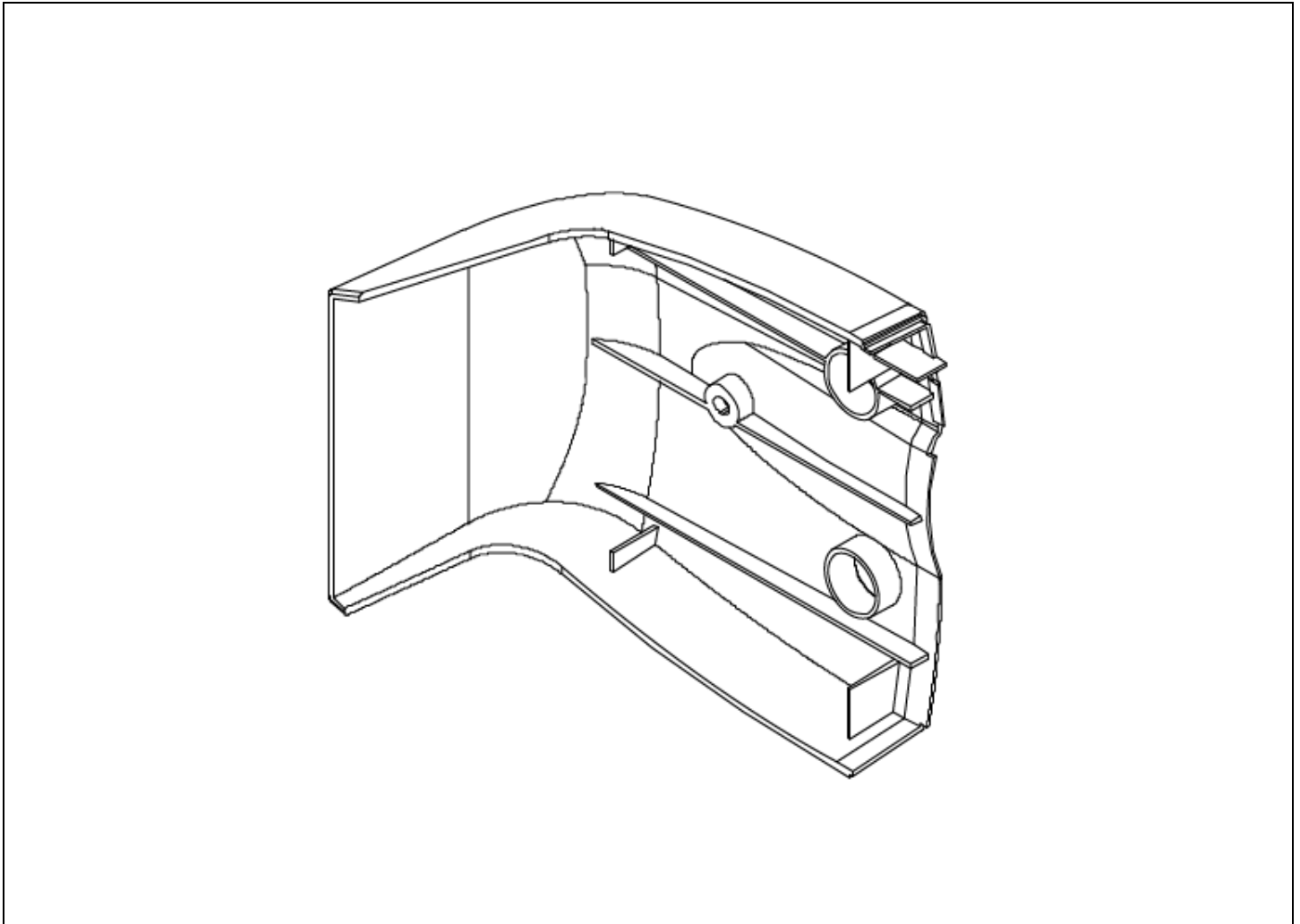
Key No	Vendor Part No.	TRUE Part Number	Description	Qty
79	P-2601L	7EST0012L	Left Pedestal Pivot Trim	1



TRUE FITNESS®

TRUE Part No: **7EST0011R**

Right Front Side Plastic Trim



Bill of Material:

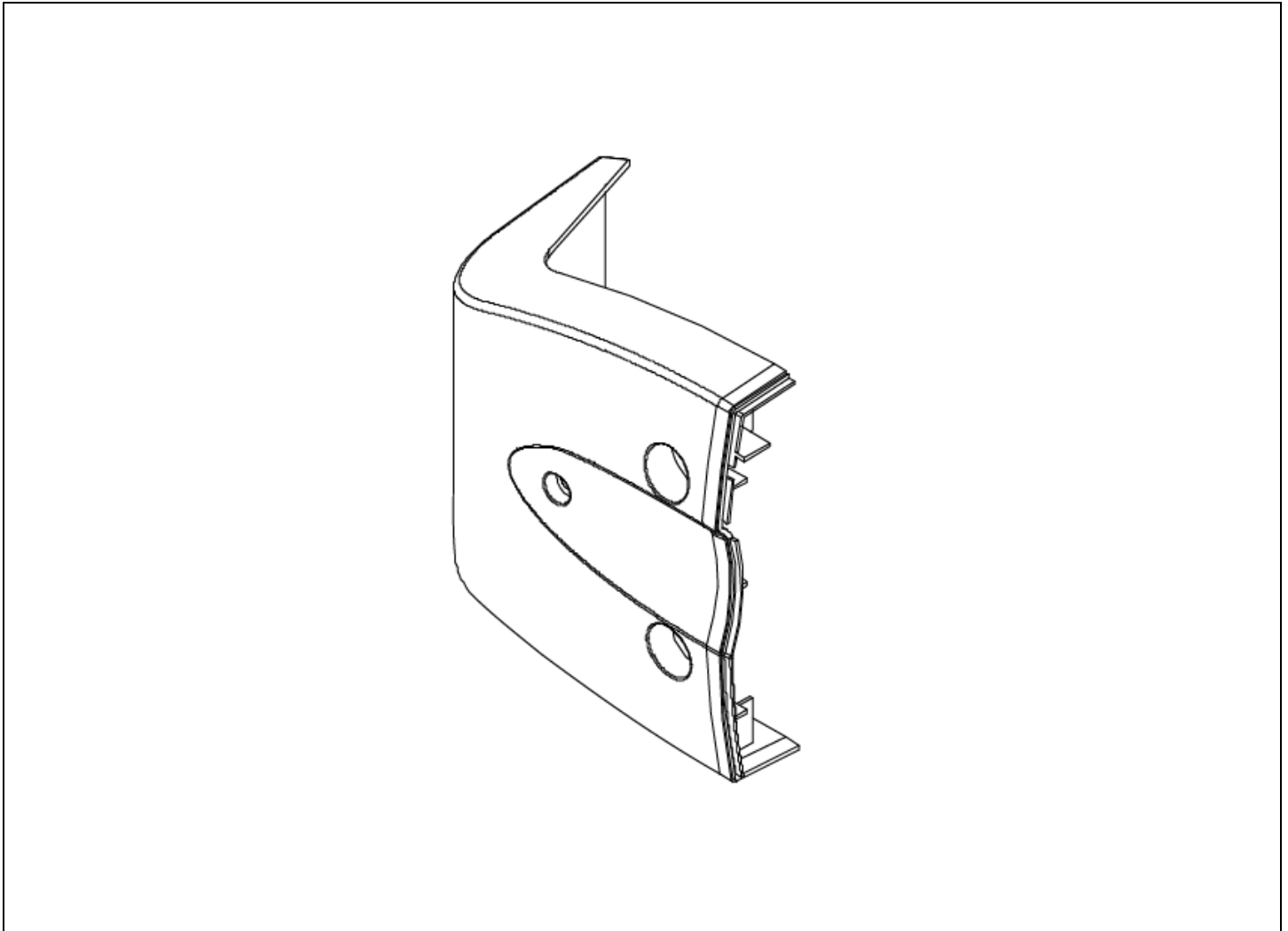
Key No	Vendor Part No.	TRUE Part Number	Description	Qty
106	P-2600R	7EST0011R	Right Front Side Plastic Trim	1



TRUE FITNESS®

TRUE Part No: **7EST0011L**

Left Front Side Plastic Trim



Bill of Material:

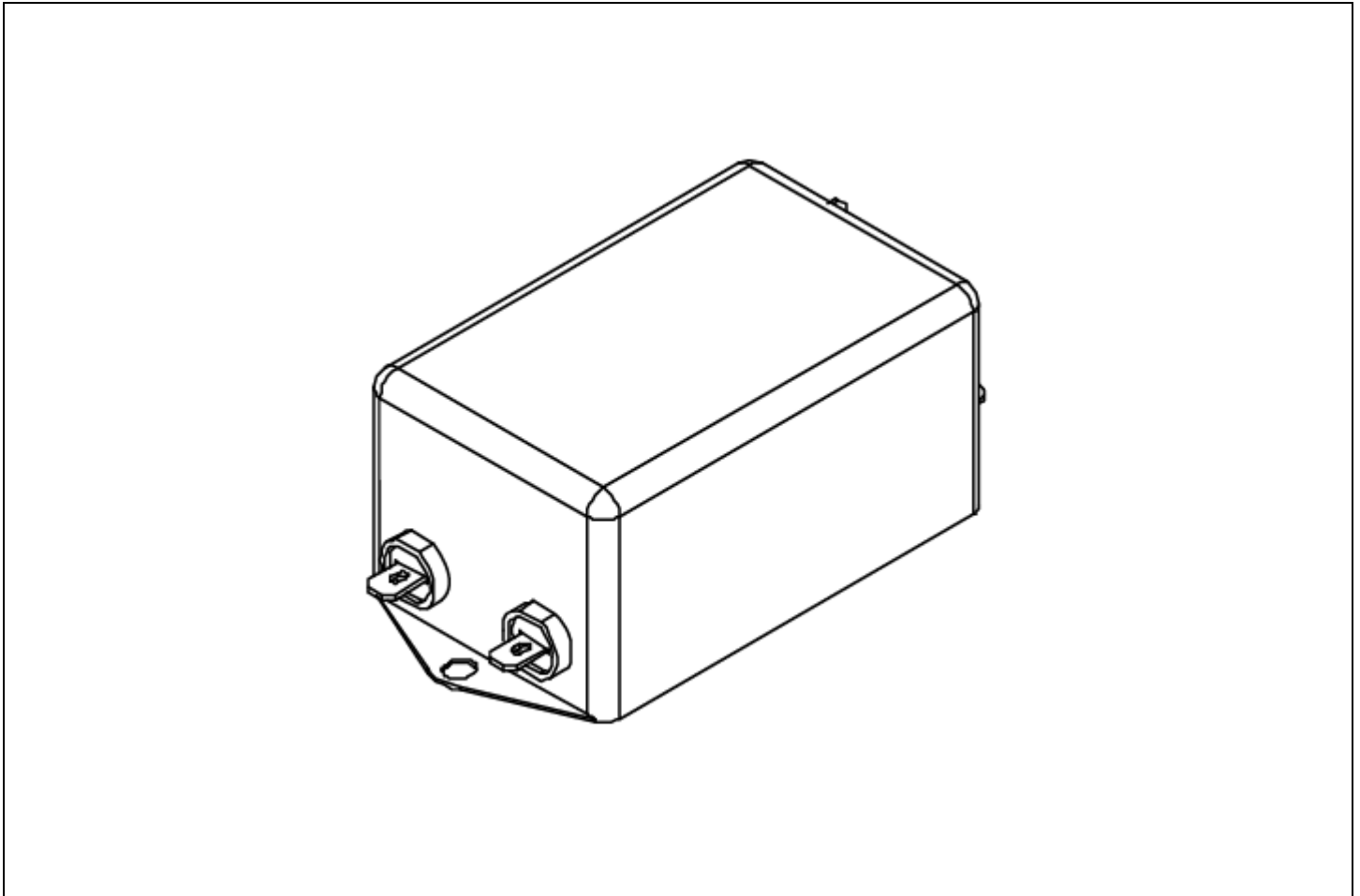
Key No	Vendor Part No.	TRUE Part Number	Description	Qty
105	P-2600L	7EST0011L	Left Front Side Plastic Trim	1



TRUE FITNESS®

TRUE Part No: **7EST0008**

Line Filter



Bill of Material:

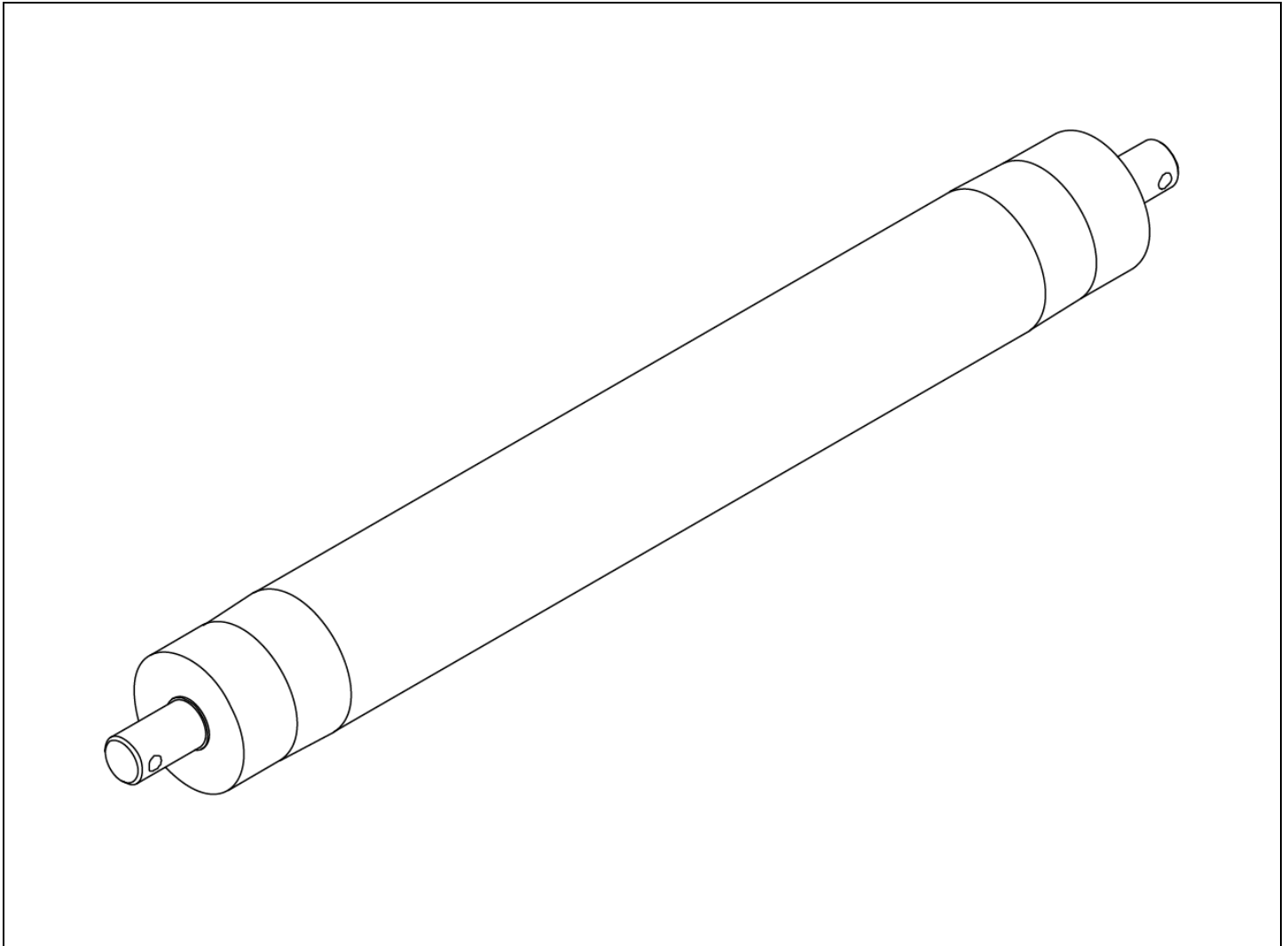
Key No	Vendor Part No.	TRUE Part Number	Description	Qty
21	XEB-011	7EST0008	Line Filter	1



TRUE FITNESS®

TRUE Part No: **7EST0006**

Rear Roller



Bill of Material:

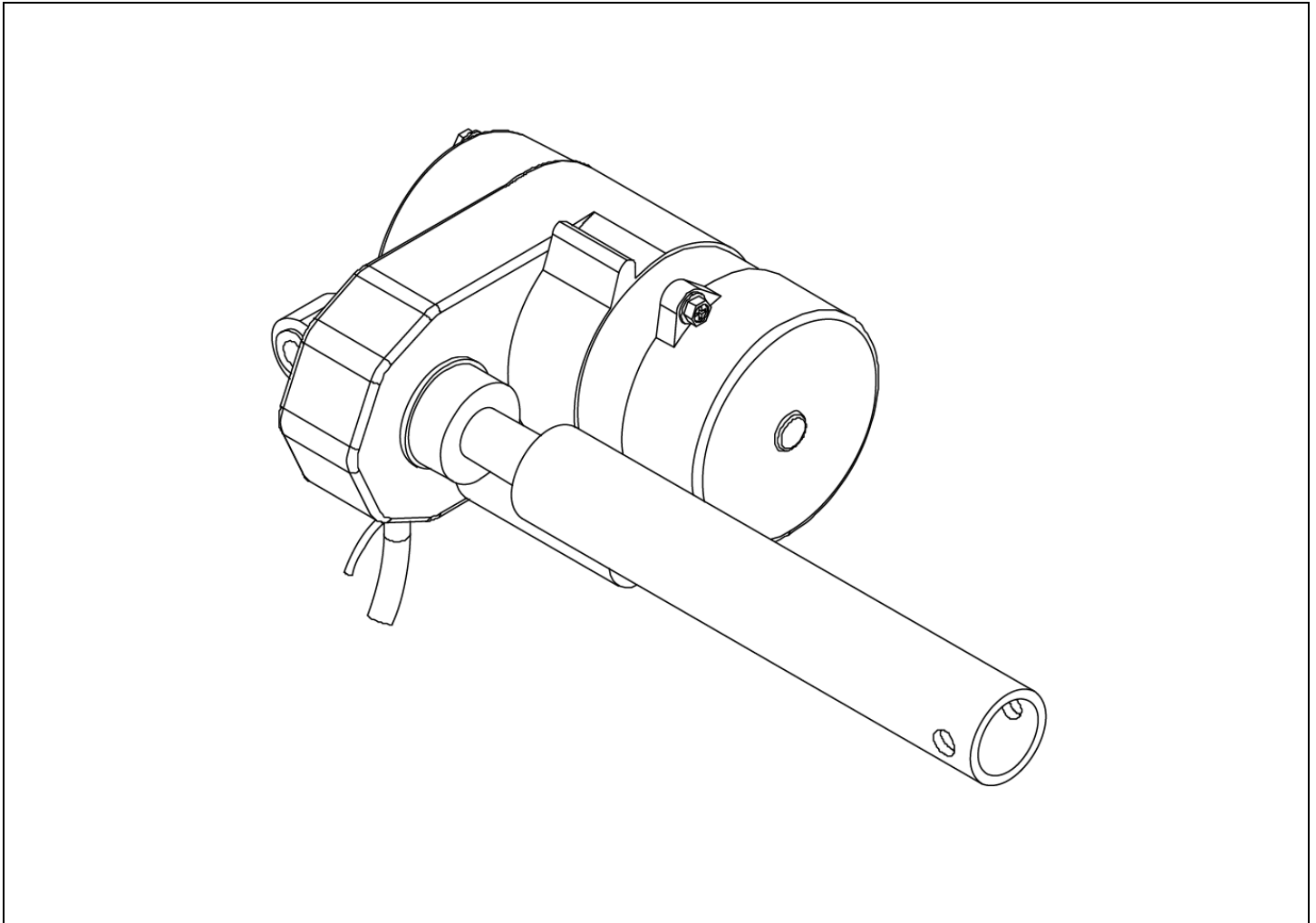
Key No	Vendor Part No.	TRUE Part Number	Description	Qty
64	NRL-0272A	7EST0272A	Rear Roller	1



TRUE FITNESS®

TRUE Part No: 7EST0002

Incline Motor



Bill of Material:

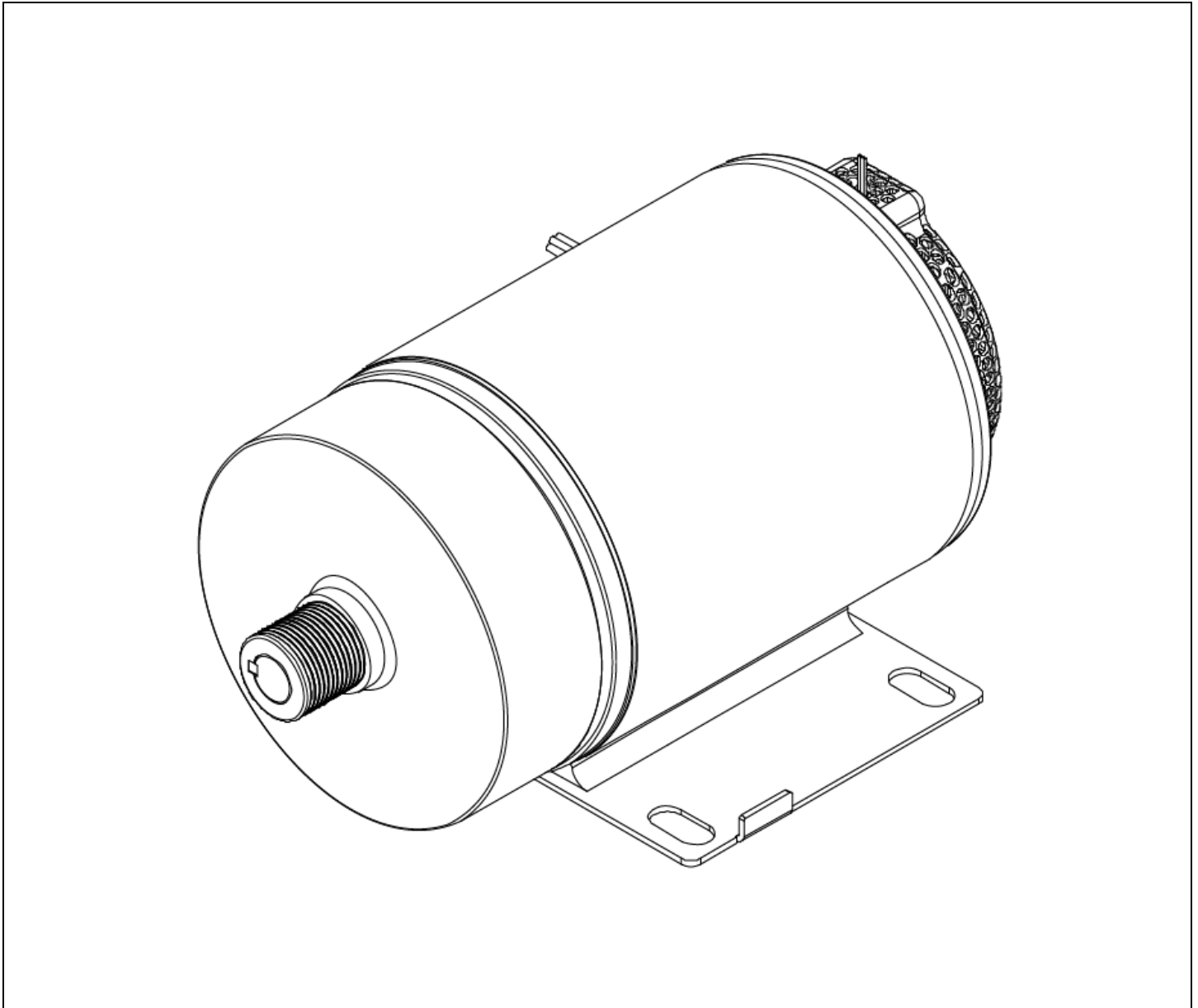
Key No	Vendor Part No.	TRUE Part Number	Description	Qty
39	XM-263A	7EST0002	Incline Motor	1



TRUE FITNESS®

TRUE Part No: **7CT5001**

Drive Motor



Bill of Material:

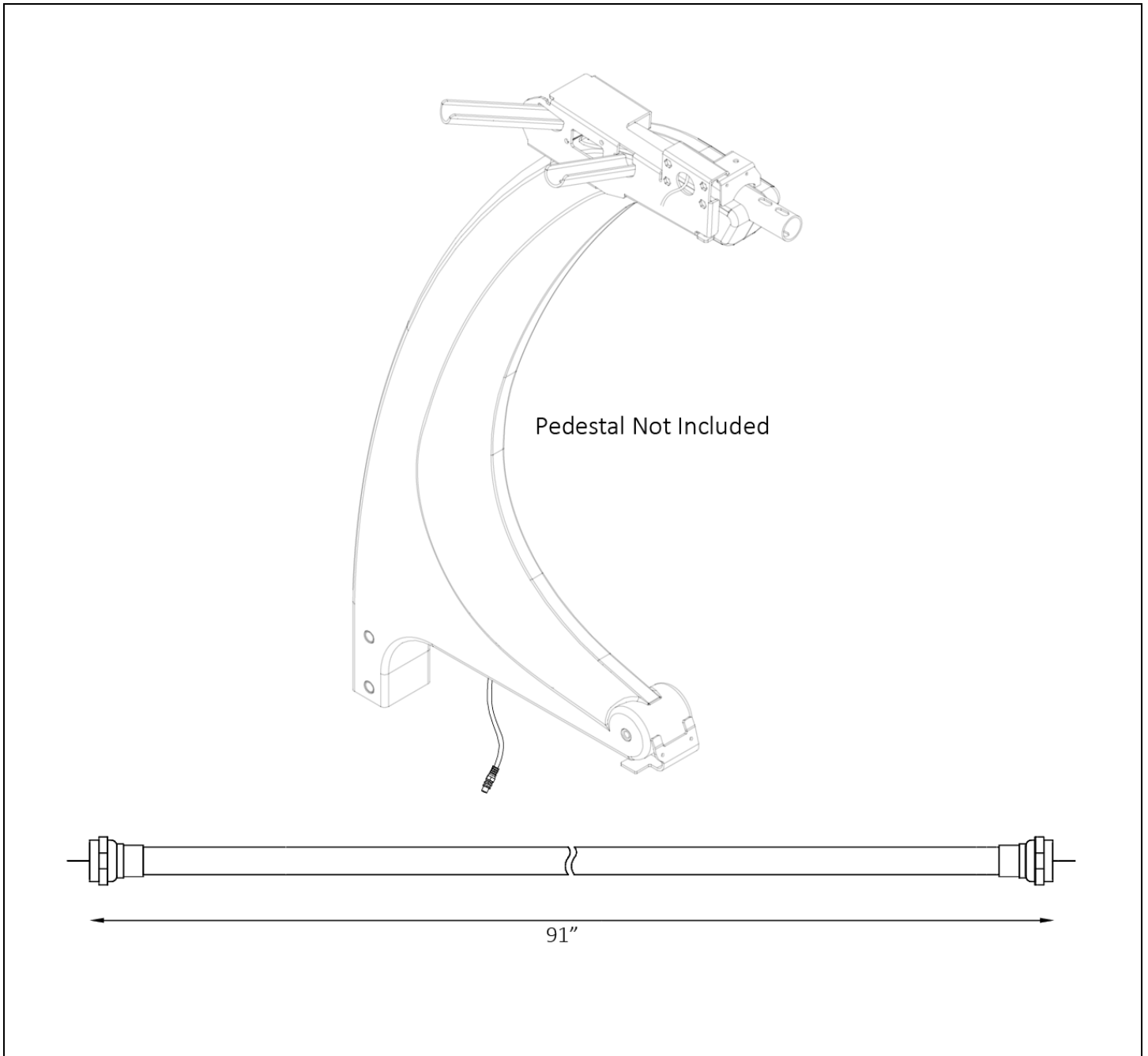
Key No	Vendor Part No.	TRUE Part Number	Description	Qty
25	XM-280	7CT5001	Drive Motor	1



TRUE FITNESS®

TRUE Part No: **7CT0023**

Lower Coaxial Cable



Bill of Material:

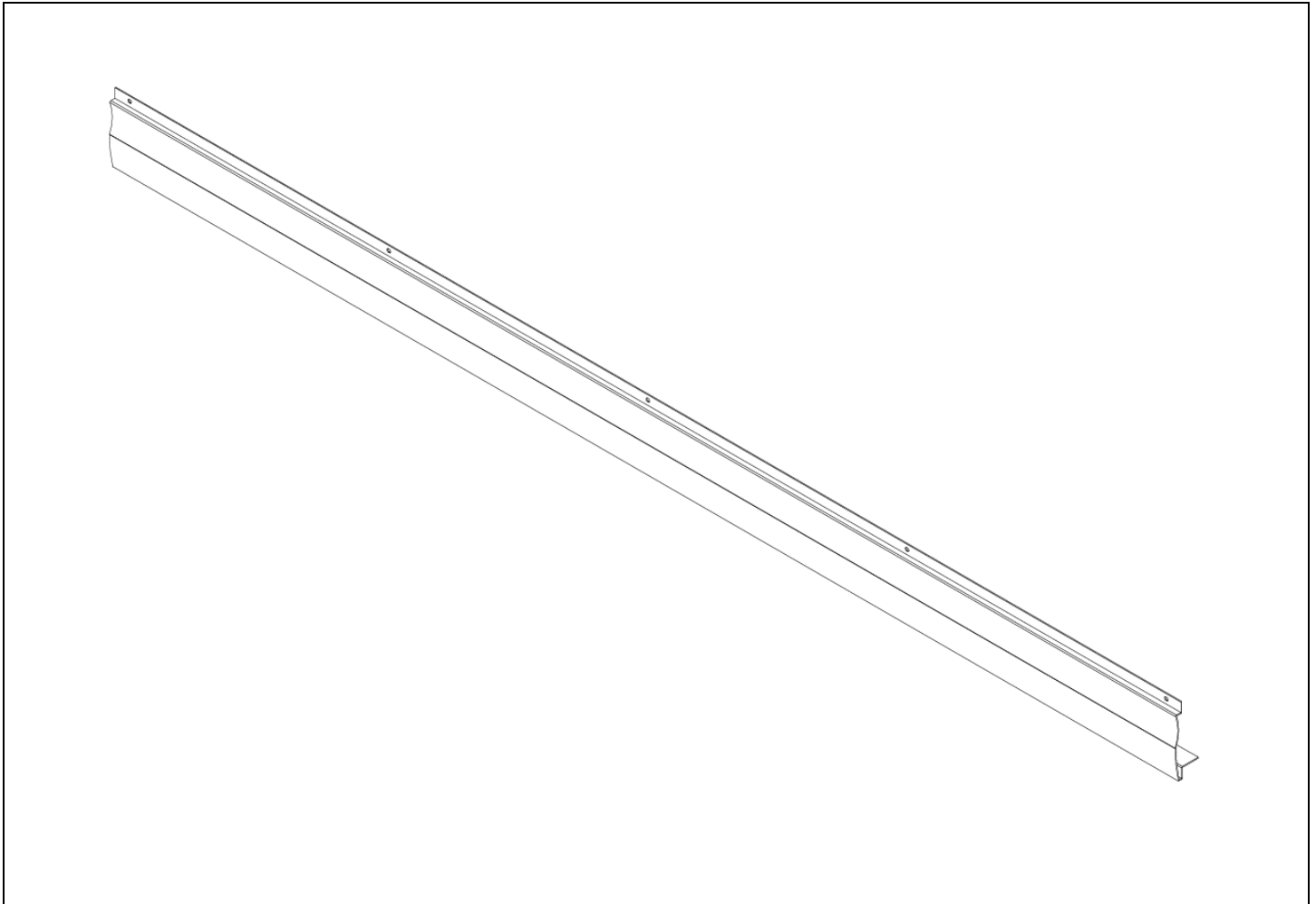
Key No	Vendor Part No.	TRUE Part Number	Description	Qty
171	XL-1051B	7CT0023	Lower Coax Cable 91"	1



TRUE FITNESS®

TRUE Part No: **7CT0007**

Side Trim



Bill of Material:

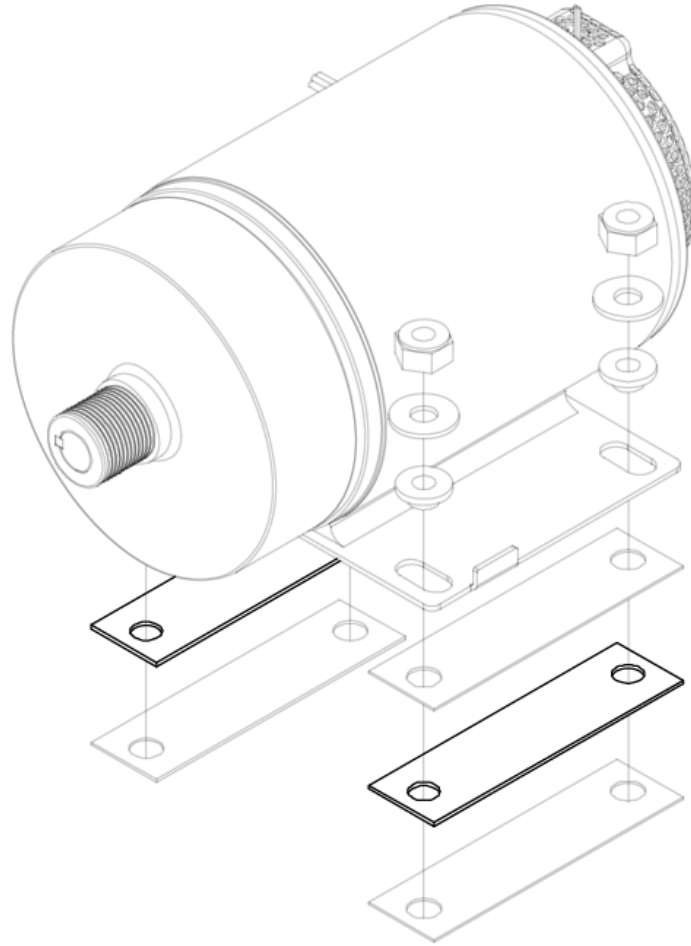
Key No	Vendor Part No.	TRUE Part Number	Description	Qty
75	NO-4437	7CT0007	Side Trim	1



TRUE FITNESS®

TRUE Part No: 7CT0006

Insulated Plastic



Motor and Vibration Reduction
Pads Not Included

Bill of Material:

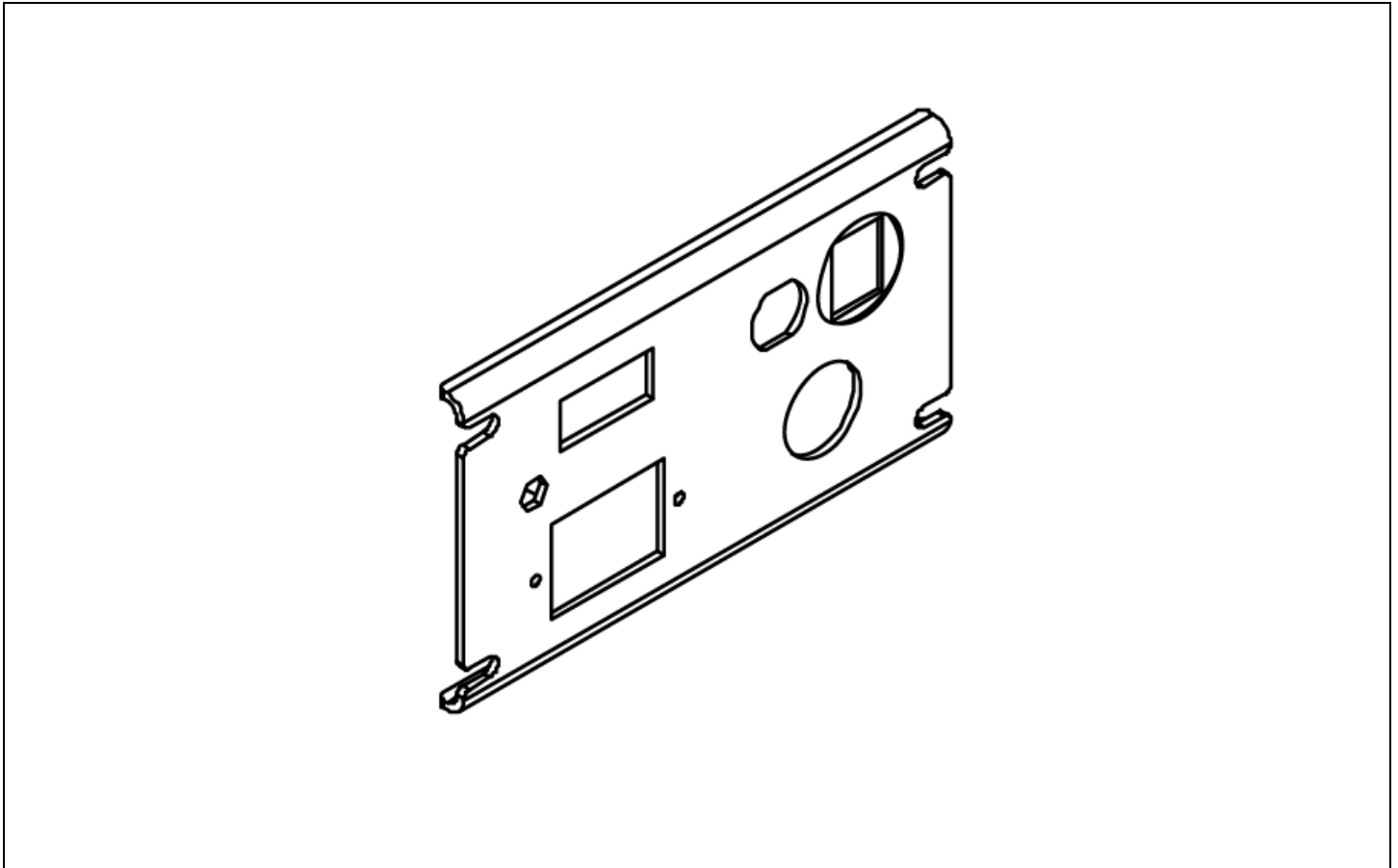
Key No	Vendor Part No.	TRUE Part Number	Description	Qty
36	P-2610	7CT0006	Insulated Plastic	1



TRUE FITNESS®

TRUE Part No: **7CT0001**

110V Low Profile Power Inlet Plate



Bill of Material:

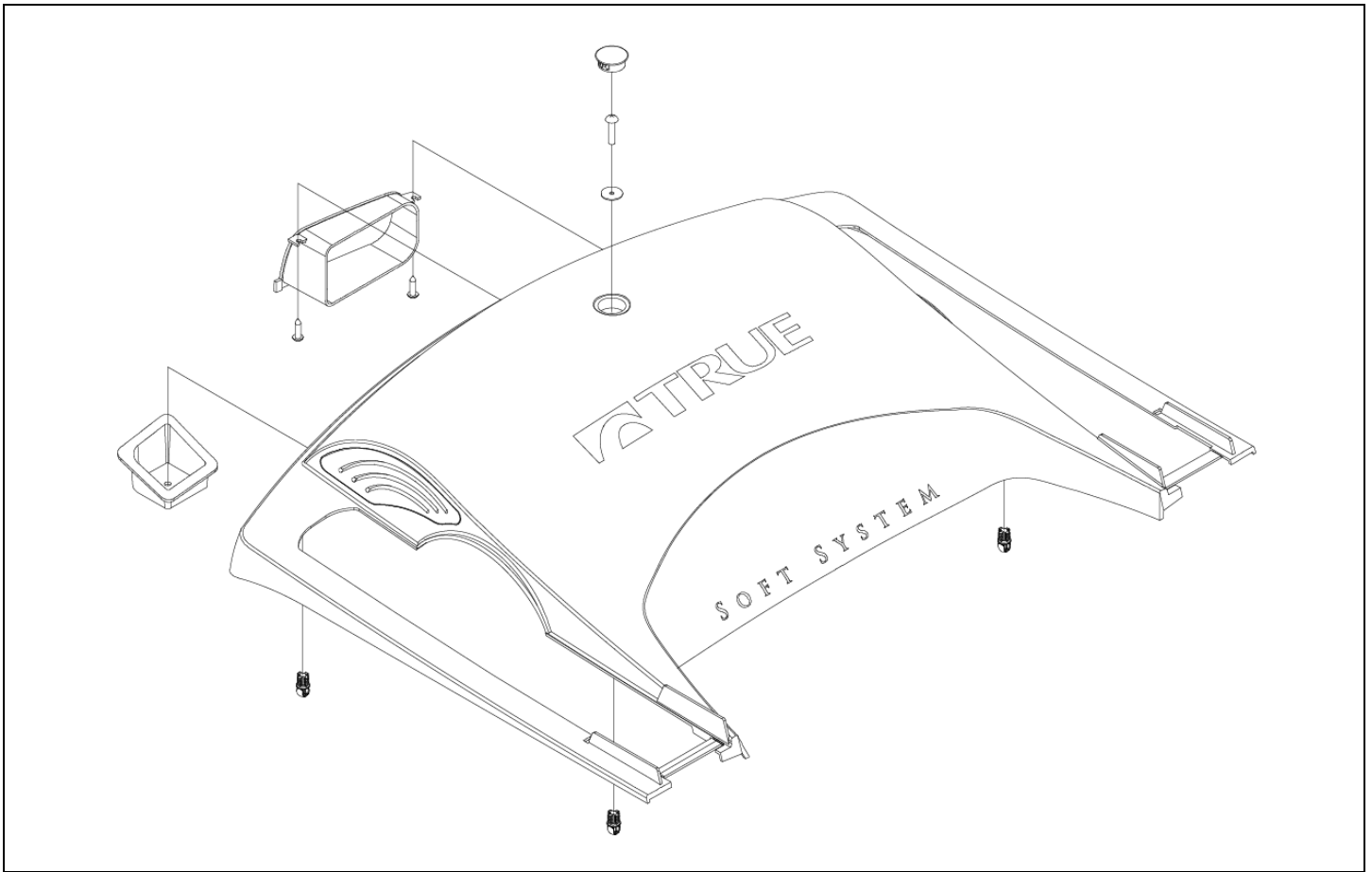
Key No	Vendor Part No.	TRUE Part Number	Description	Qty
3	NO-4497C	7CT0001	110V Low Profile Power Inlet Plate	1



TRUE FITNESS®

TRUE Part No: **7CST0013**

Motor Cover Assembly



Bill of Material:

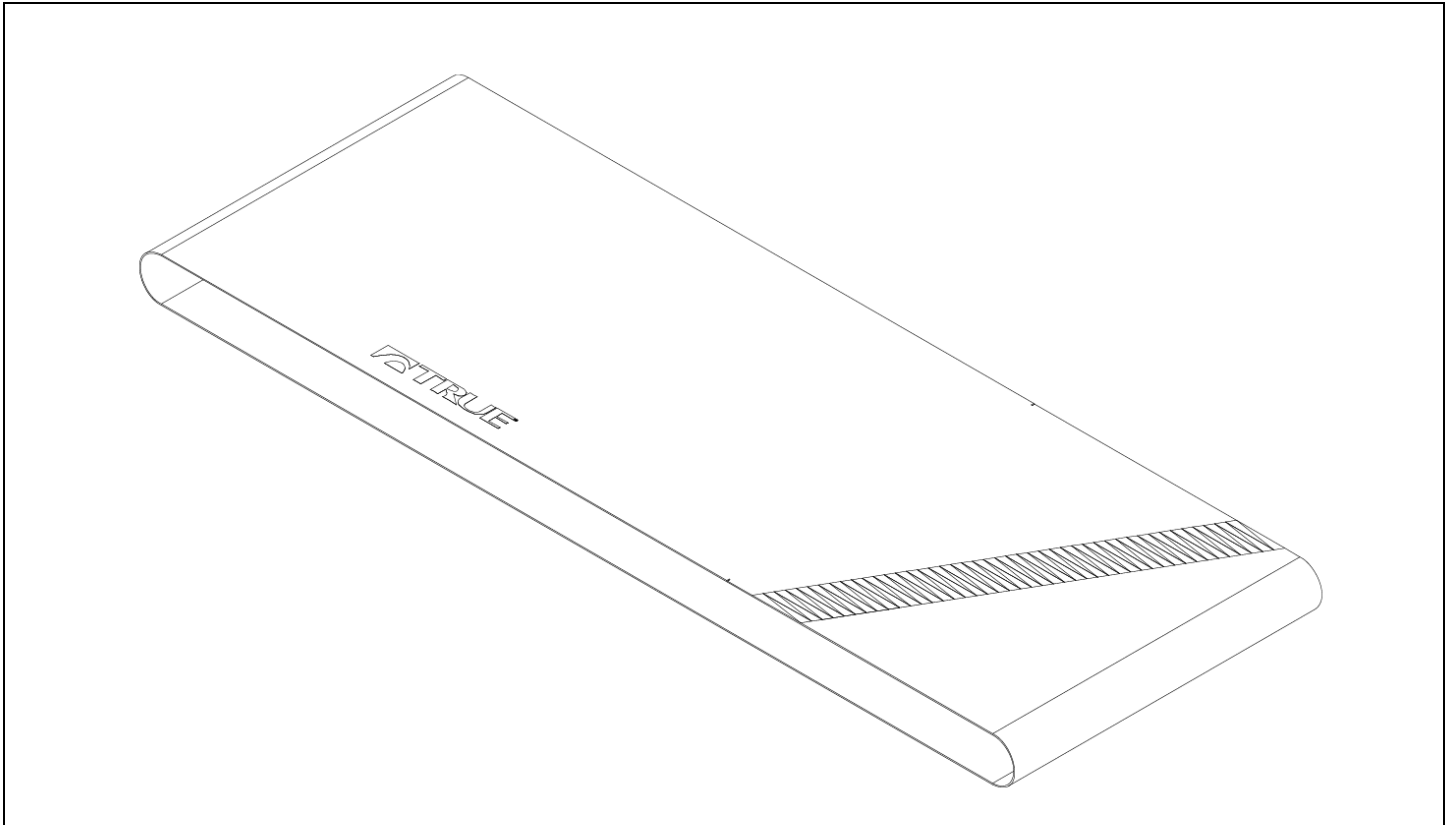
Key No	Vendor Part No.	TRUE Part Number	Description	Qty
107	P-2603	7CST0012	Motor Cover	1
107A	P-2608	70309500	Domed Plug	1
82B	SCA5-20		Screw	1
114A	SPA006-190-15		Washer 6x19x1.5T	1
108	P-2606		Motor Support	1
109	P-2607		Power Inlet Skirt	1
110	SCI35-10		Bolt 3.5x10	2
100A	P-2804		Treelok Ball-Bottom	4



TRUE FITNESS®

TRUE Part No: **7CST0005**

Treadbelt 22" x 127 3/8"



Bill of Material:

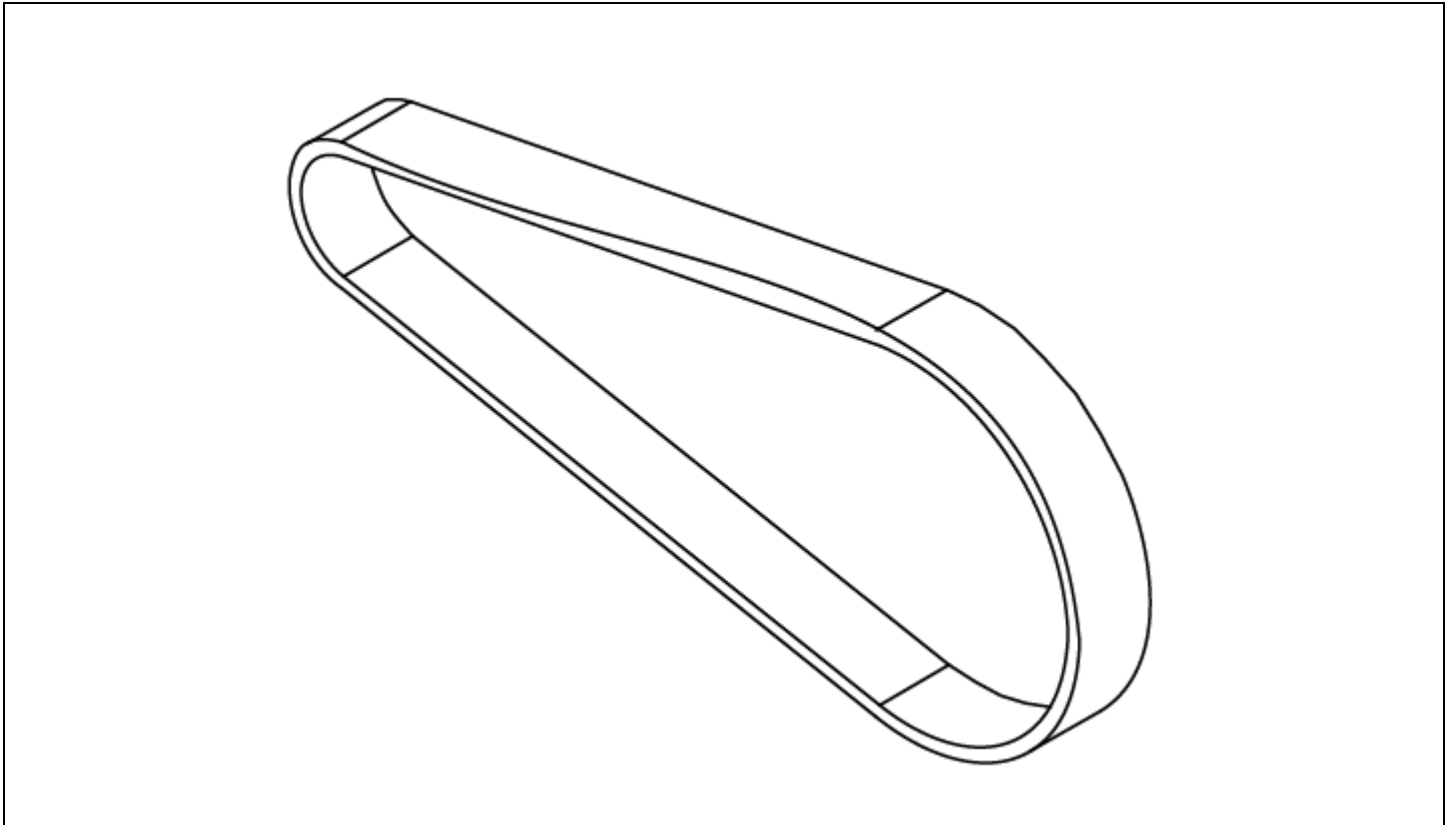
Key No	Vendor Part No.	TRUE Part Number	Description	Qty
67	CB00068A	7CST0005	Treadbelt 22" x 127 3/8"	1



TRUE FITNESS®

TRUE Part No: **7CST0004**

Drive Belt



Bill of Material:

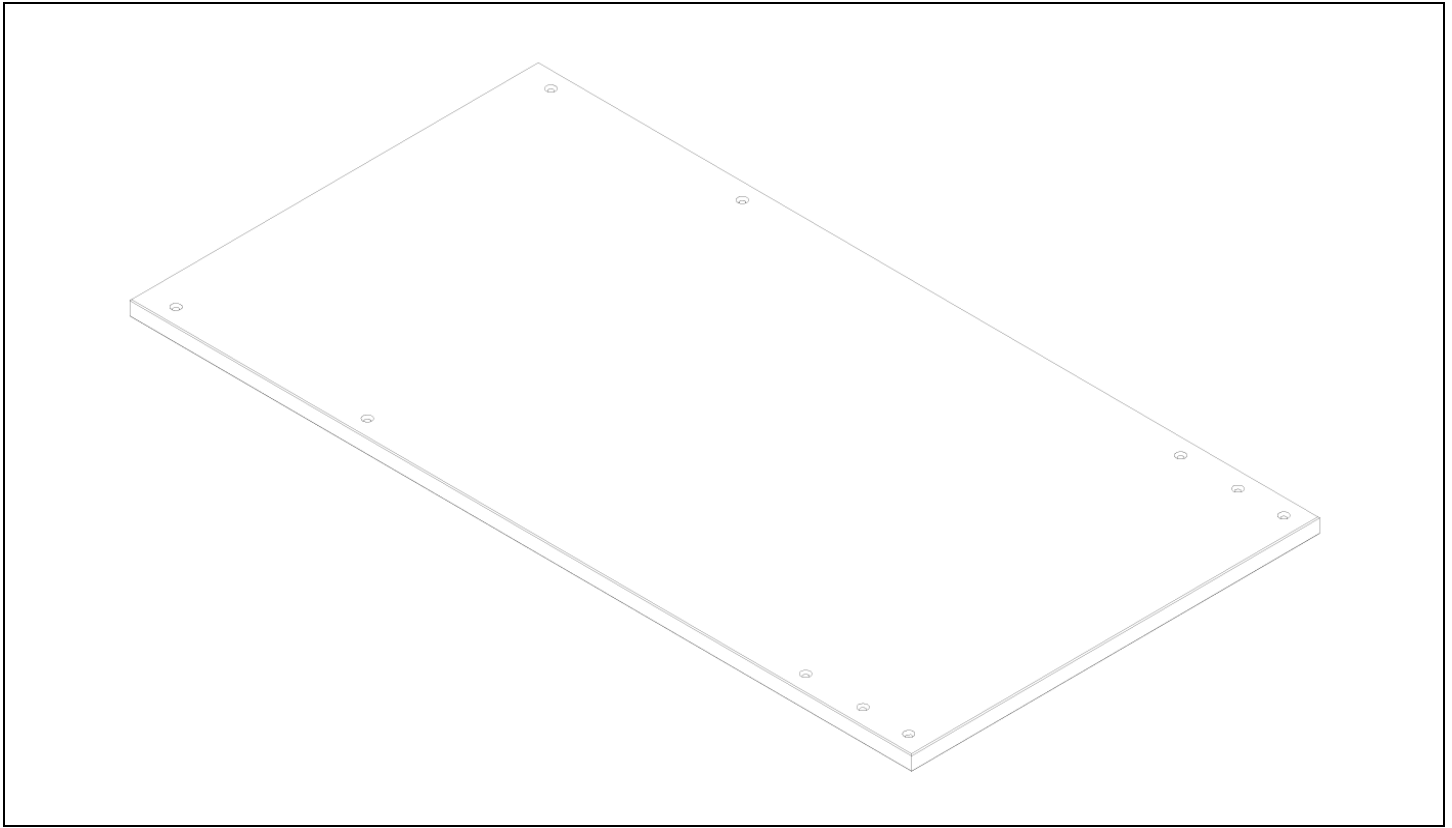
Key No	Vendor Part No.	TRUE Part Number	Description	Qty
38	CA-250J10	7CST0004	Drive Belt	1



TRUE FITNESS®

TRUE Part No: **7CST0003**

Flex Deck



Bill of Material:

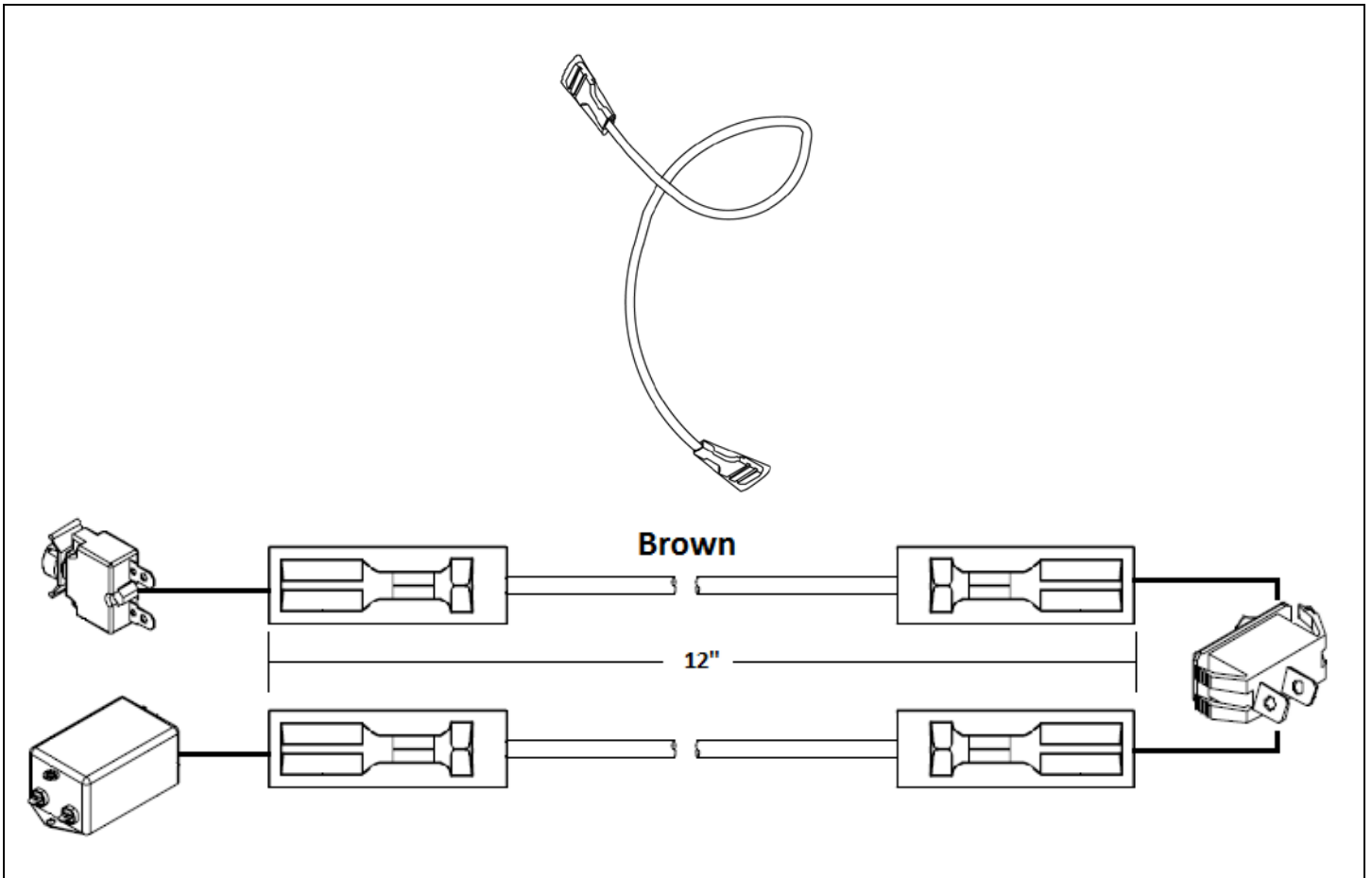
Key No	Vendor Part No.	TRUE Part Number	Description	Qty
59	MB-038A	7CST0003	Flex Deck	1



TRUE FITNESS®

TRUE Part No: **7C528200**

Breaker to Filter Wire



Bill of Material:

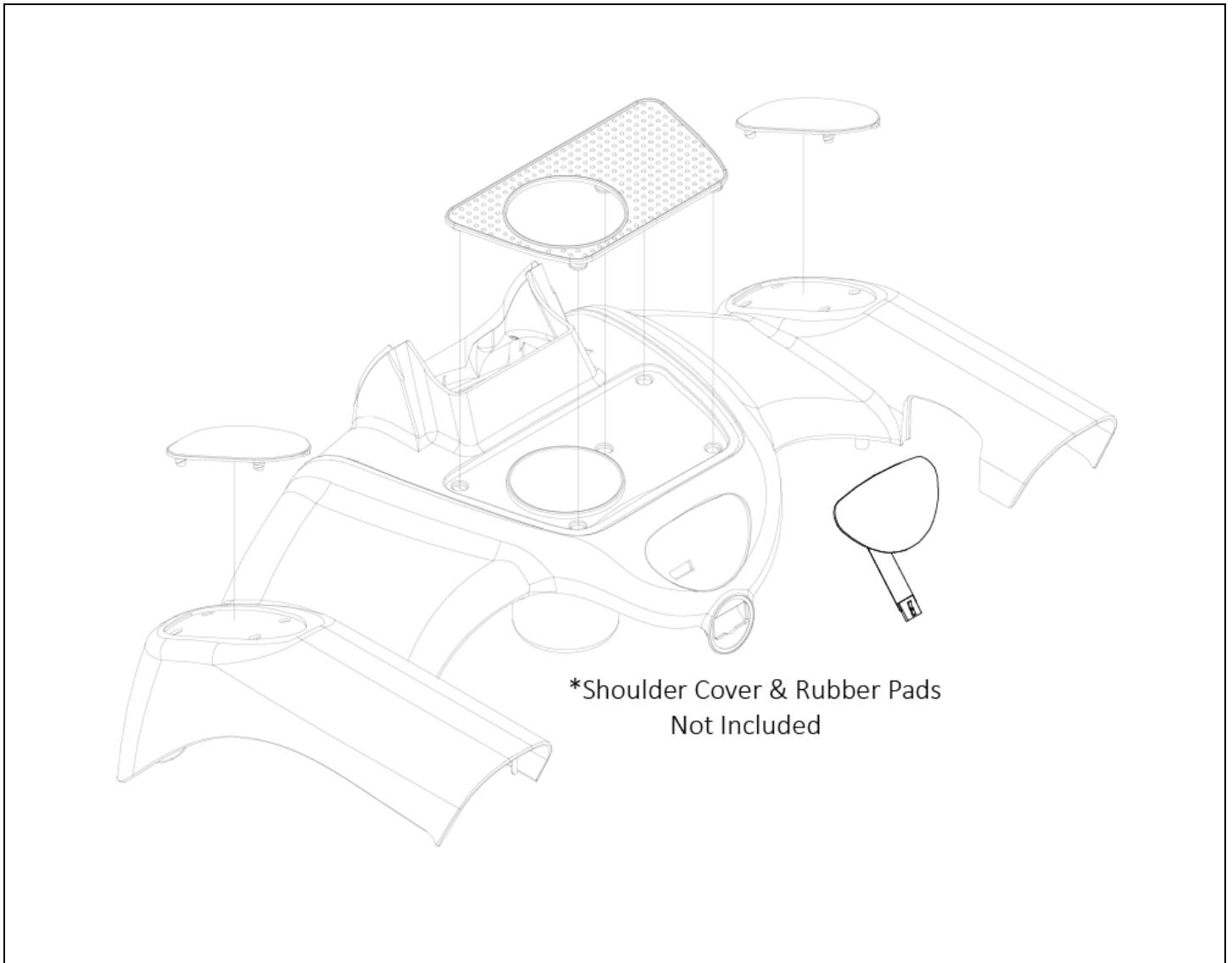
Key No	Vendor Part No.	TRUE Part Number	Description	Qty
90	XLT060	7C528200	Breaker to Switch to Filter Wire (Brown)	1



TRUE FITNESS®

TRUE Part No: **70589500**

Click Touch Center Pod



Bill of Material:

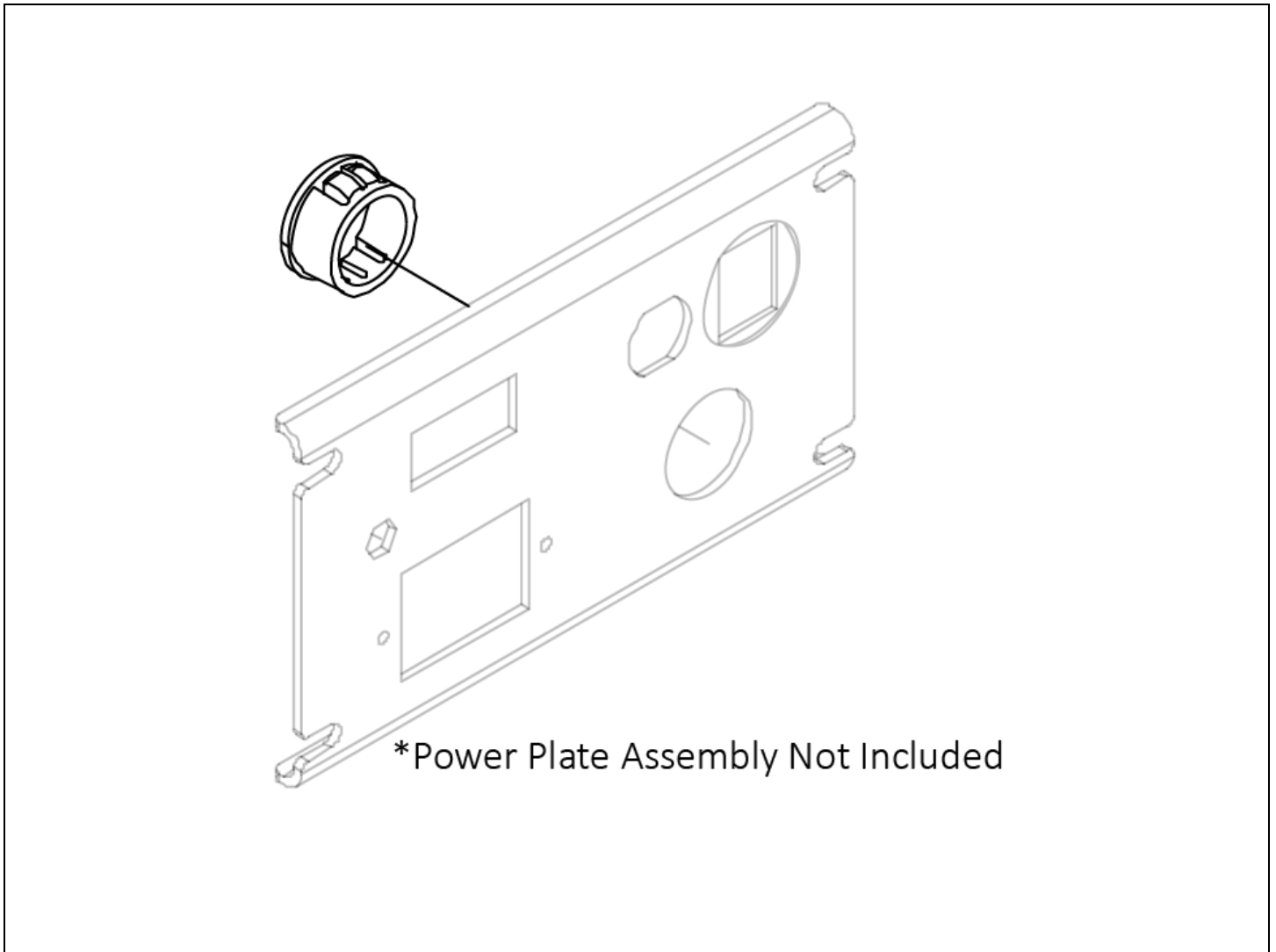
Key No	Vendor Part No.	TRUE Part Number	Description	Qty
141	RD-03-0009	70589500	Click Touch Center Pod	1



TRUE FITNESS®

TRUE Part No: **70380500**

Strain Relief Bushing



Bill of Material:

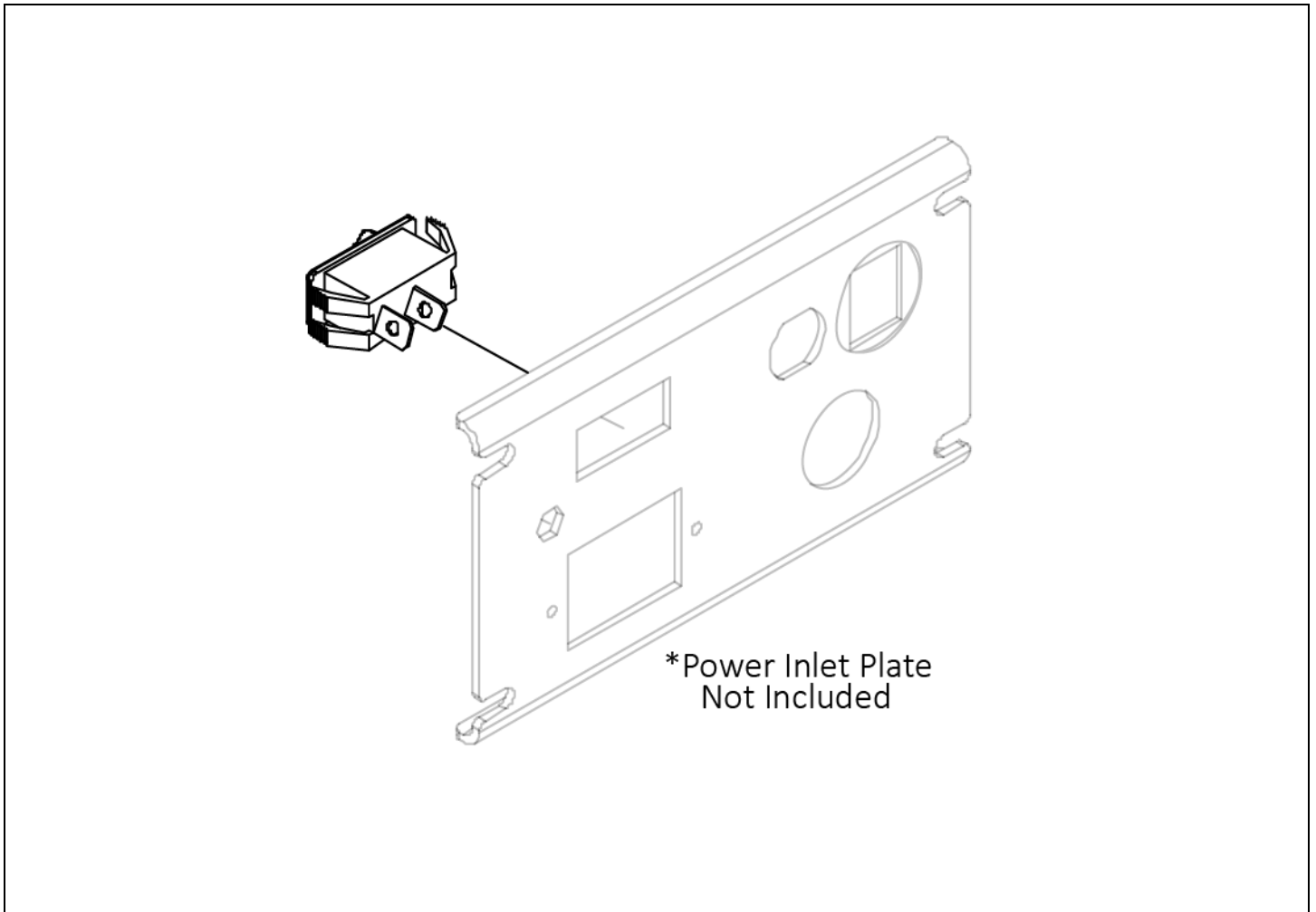
Key No	Vendor Part No.	TRUE Part Number	Description	Qty
12	PZ-0016	70380500	Strain Relief Bushing	1



TRUE FITNESS®

TRUE Part No: **70251100**

120V Power Switch



Bill of Material:

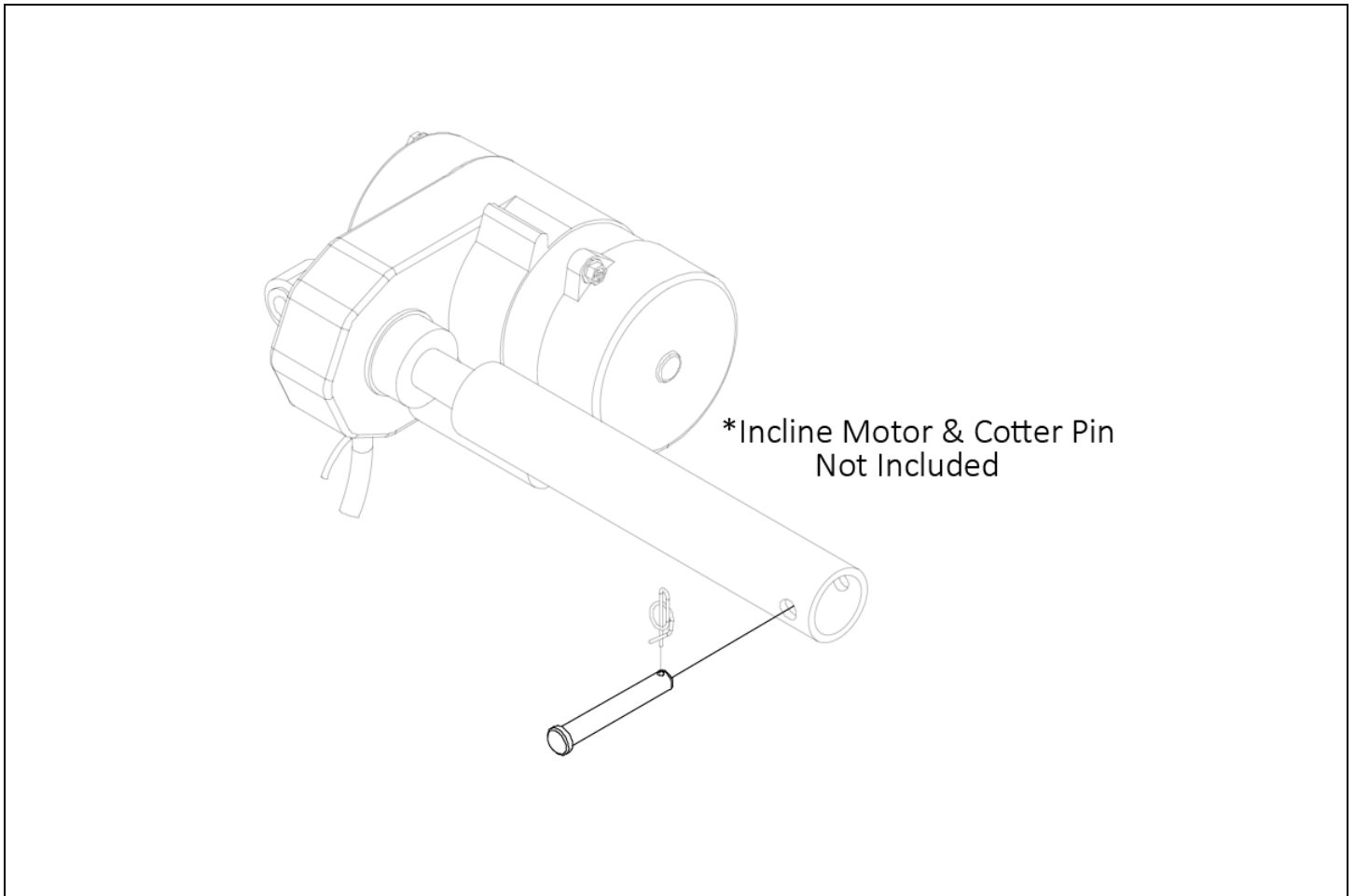
Key No	Vendor Part No.	TRUE Part Number	Description	Qty
9	XEA-A014	70251100	120V Power Switch	1



TRUE FITNESS®

TRUE Part No: **70183700**

Clevis Pin 3/8x2 1/8



Bill of Material:

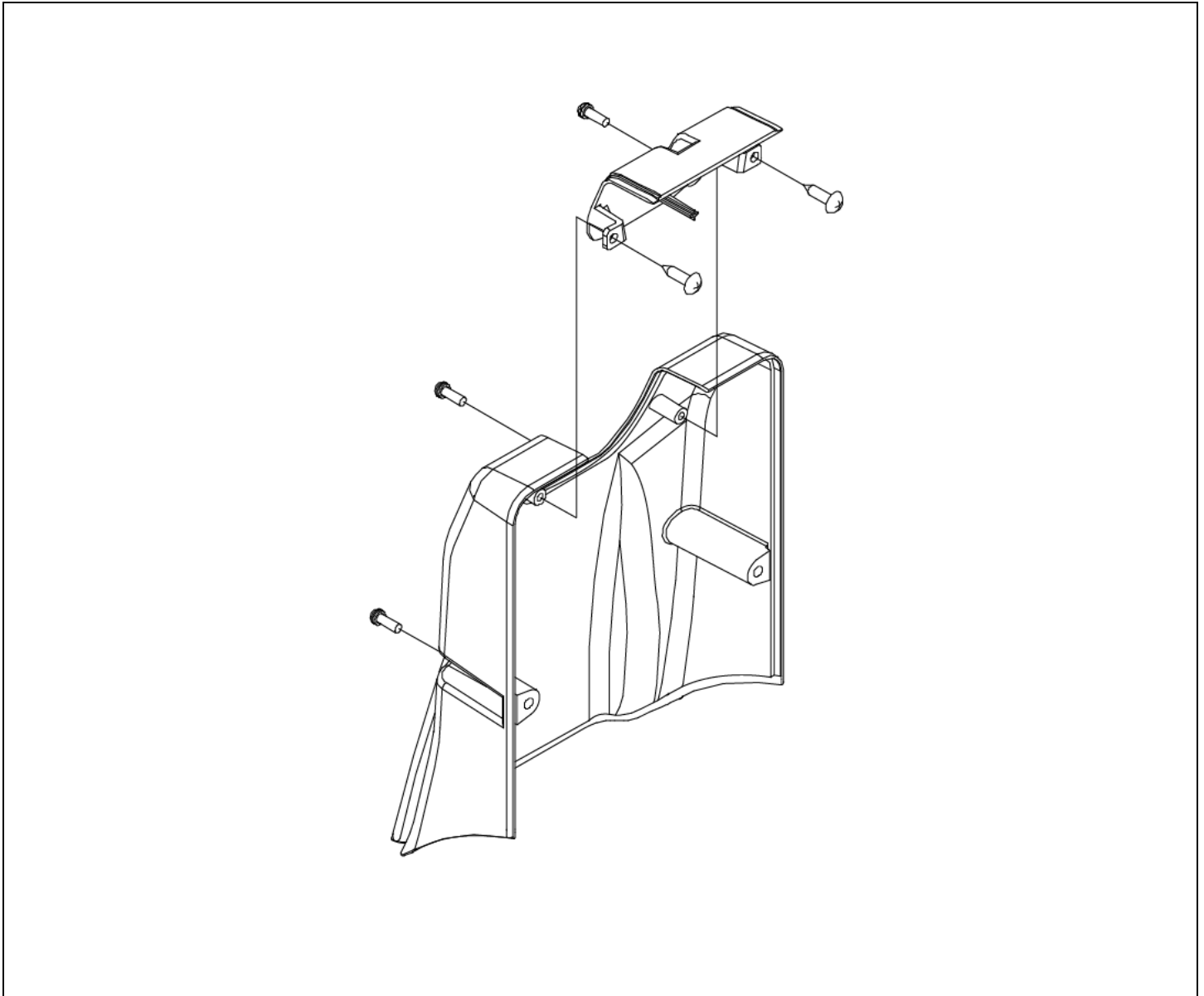
Key No	Vendor Part No.	TRUE Part Number	Description	Qty
41	SK-512	70183700	Clevis Pin 3/8x2 1/8 Under Head/ZN	1



TRUE FITNESS®

TRUE Part No: **7TCS60017**

Console Rear Cover Assembly



Bill of Material:

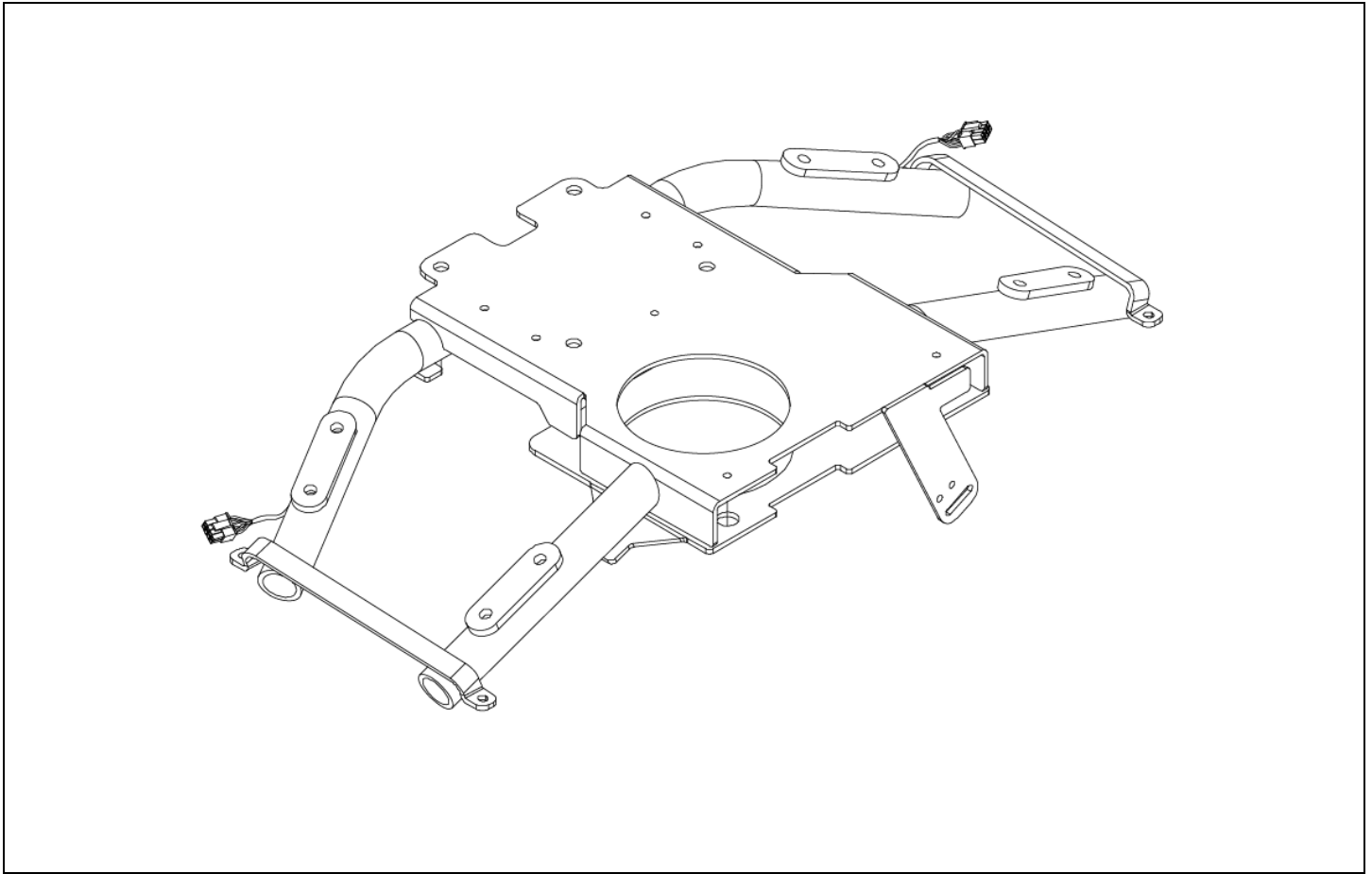
Key No	Vendor Part No.	TRUE Part Number	Description	Qty
212	P-3571	7TCS60017	Console Rear Cover	1
213	P-3572	N/A	Console Rear Cover Insert	1
214	SCI4-12	N/A	Bolt 4x12	2
202	SK-576	7TCS0024	SEMS Bolt M4xP0.7x12 Nylok	3



TRUE FITNESS®

TRUE Part No: **7TCS60014**

Center Pod Weldment Assembly



Bill of Material:

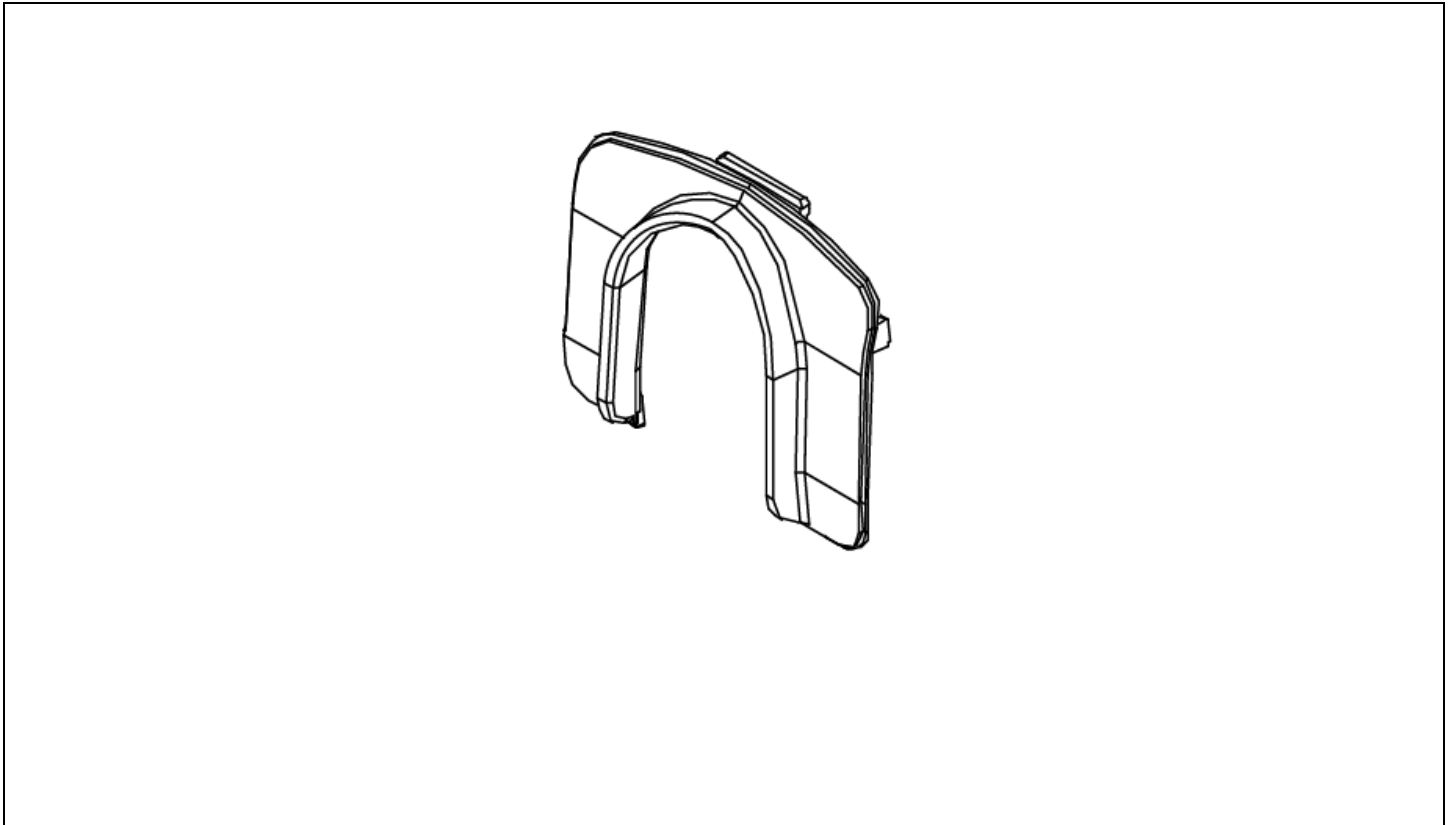
Key No	Vendor Part No.	TRUE Part Number	Description	Qty
131	JTEA016	7TCS60014	Center Pod Weldment	1
136A	XL-1536L	7TCS0007	CHR Wire – Left (Top)	1
136B	XL-1536R	7TCS0008	CHR Wire – Right (Top)	1



TRUE FITNESS®

TRUE Part No: **7TCS60013**

Plastic CHR Insert (Dog House)



Bill of Material:

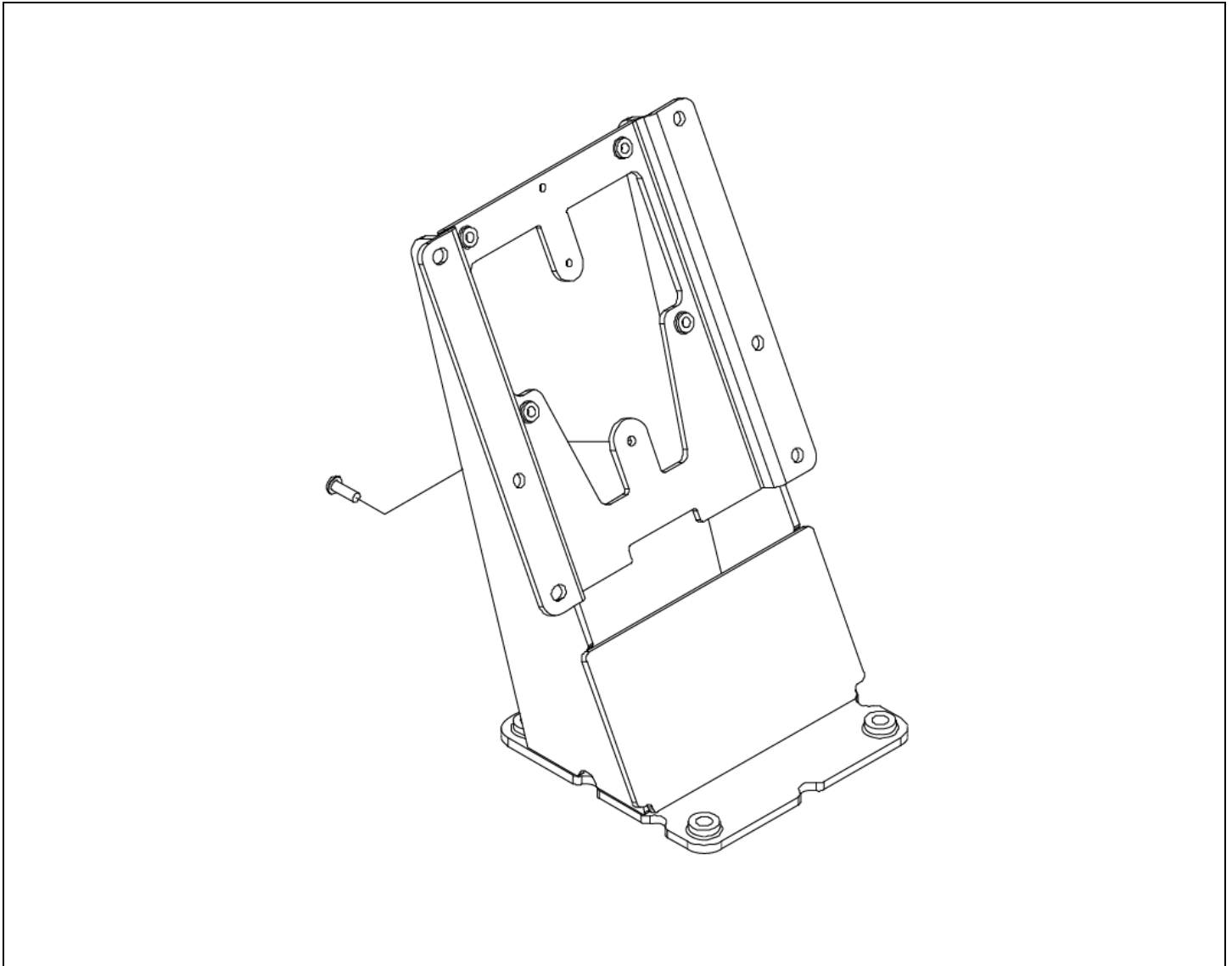
Key No	Vendor Part No.	TRUE Part Number	Description	Qty
211	P-3580	7TCS60013	Plastic CHR Insert (Dog House)	1



TRUE FITNESS®

TRUE Part No: **7TCS60012**

Console Mast



Bill of Material:

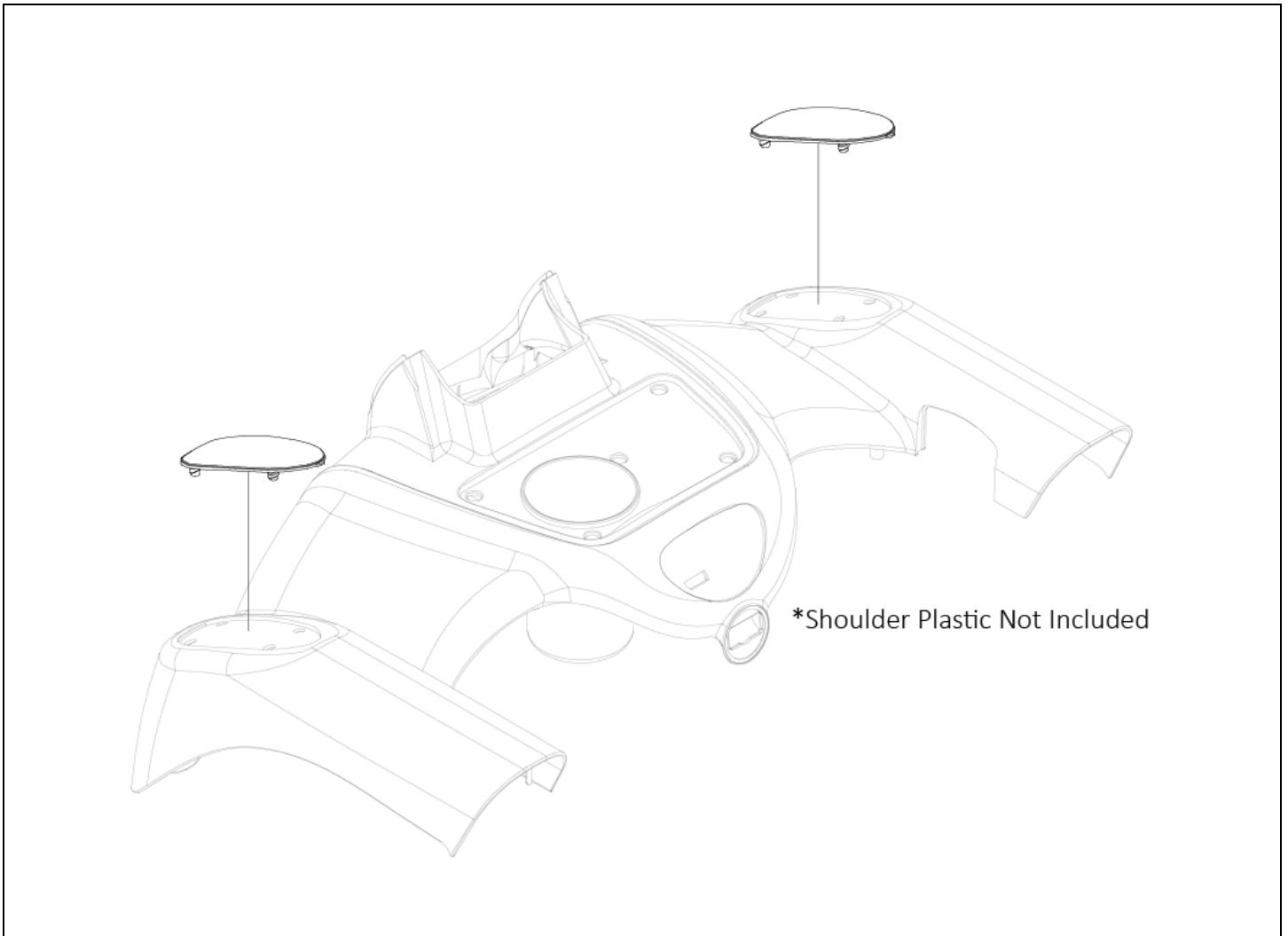
Key No	Vendor Part No.	TRUE Part Number	Description	Qty
210	JTFA050	7TCS60012	Console Mast	1
166	SCA5-6ZN	N/A	BOLT M5xP0.8x6	1



TRUE FITNESS®

TRUE Part No: **7TCS60011**

Top Shoulder Plastic Insert Pad



Bill of Material:

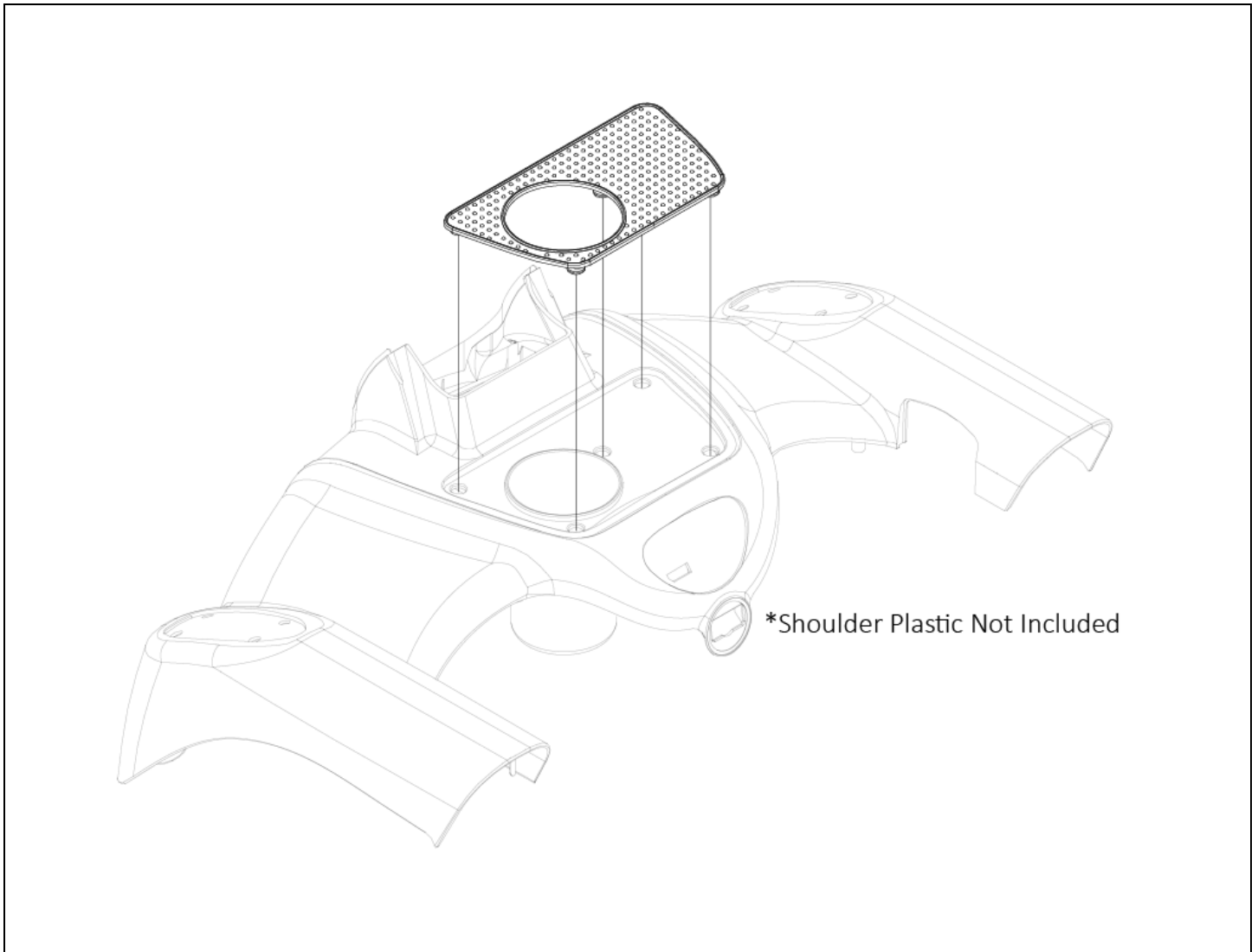
Key No	Vendor Part No.	TRUE Part Number	Description	Qty
209	P-3576	7TCS60011	Top Shoulder Plastic Insert Pad	1



TRUE FITNESS®

TRUE Part No: **7TCS60010**

Tray Insert Pad



Bill of Material:

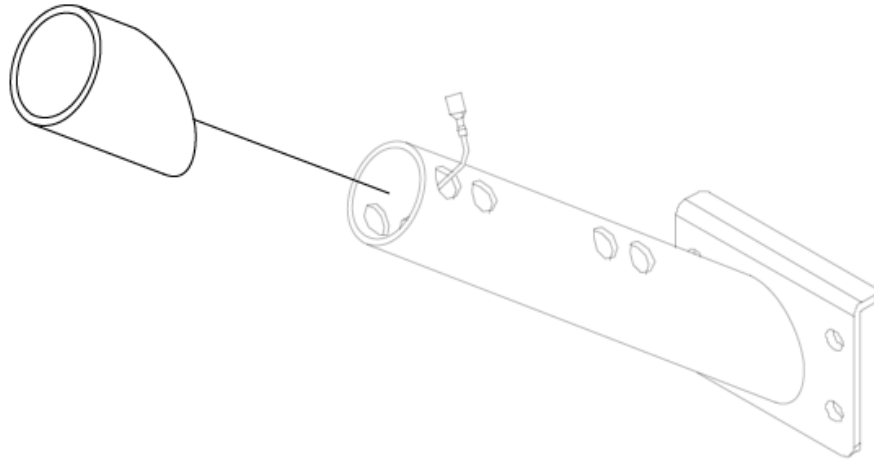
Key No	Vendor Part No.	TRUE Part Number	Description	Qty
208	P-3575	7TCS60010	Tray Insert Pad	1



TRUE FITNESS®

TRUE Part No: **7TCS6009**

HDR Foam Grip



*Grip Weldment Not Included

Bill of Material:

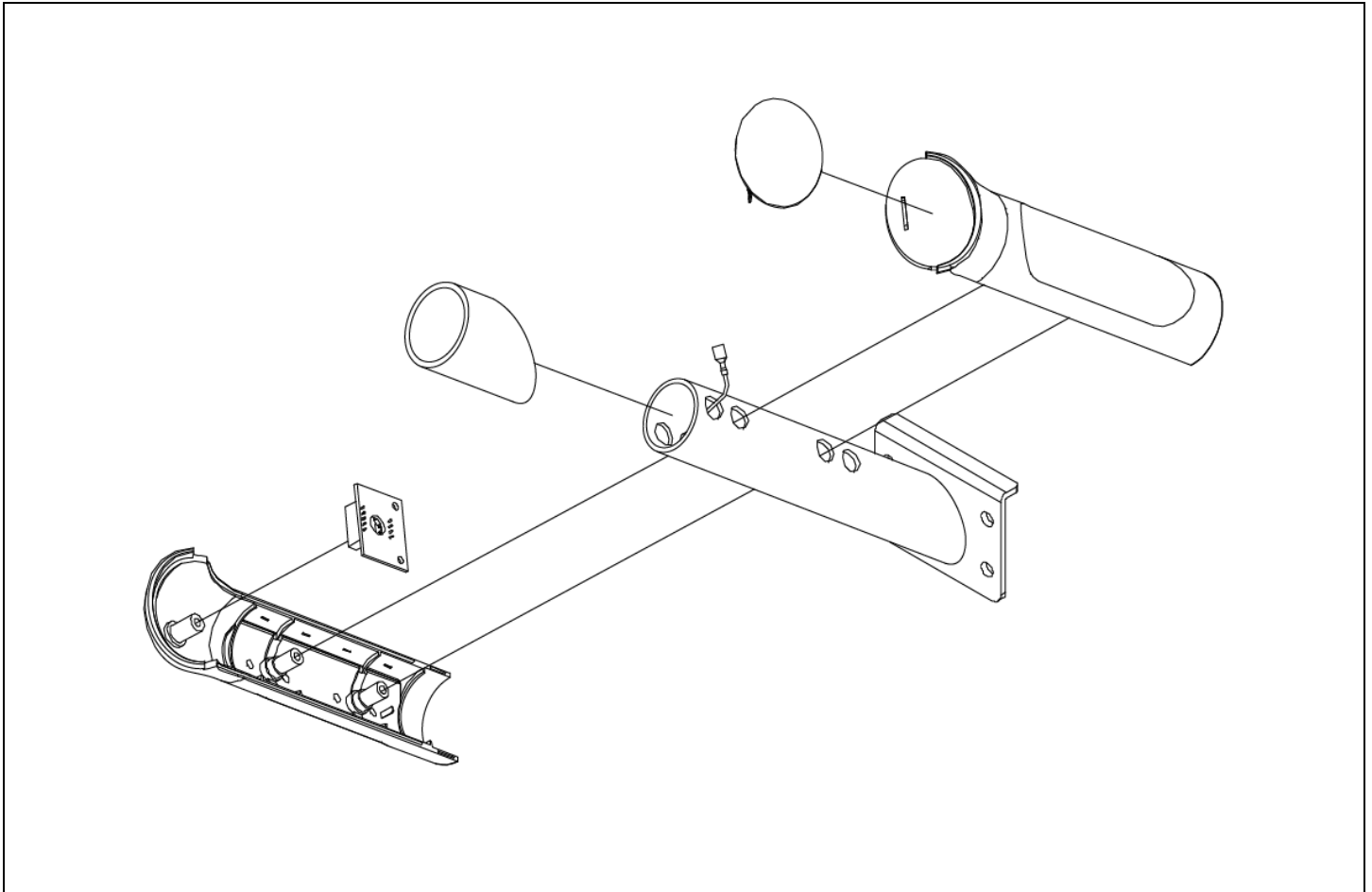
Key No	Vendor Part No.	TRUE Part Number	Description	Qty
194	PFM-079	7TCS6009	HDR Foam Grip	2



TRUE FITNESS®

TRUE Part No: **7TCS6008**

Right CHR Grip Tube Weldment Assembly



Bill of Material:

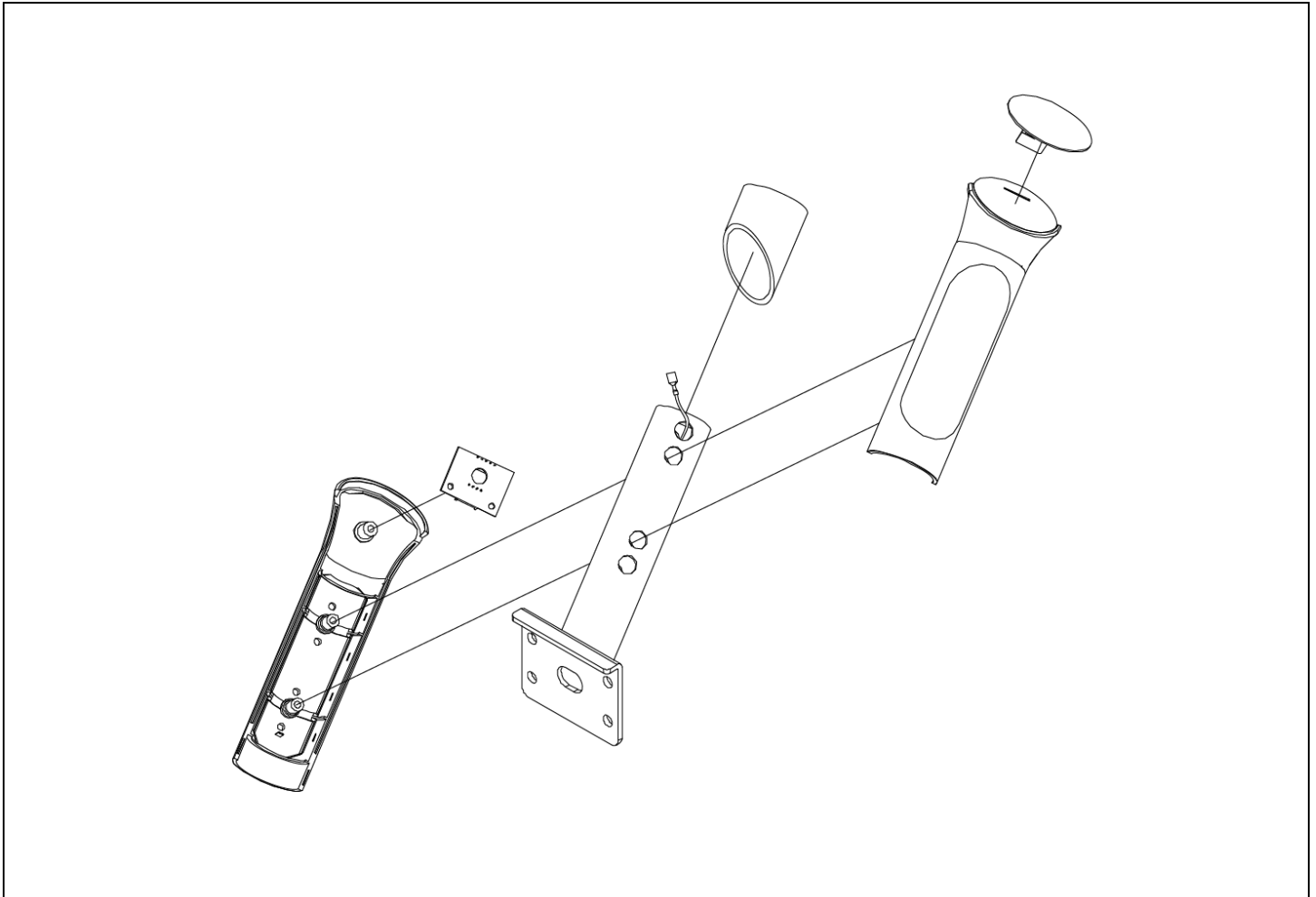
Key No	Vendor Part No.	TRUE Part Number	Description	Qty
193	JTDA045R	7TCS6008	CHR Grip Tube Weldment (Right)	1
194	PFM-079	7TCS6009	HDR Foam Grip	1
197	XEK-289	N/A	CHR Grip Board	1
196	RD-02-0006	7TCS0004	Click Touch Thumbswitch Speed (Right)	1
136D	XL-1535	7TCS0010	CHR Wire (Bottom)	1
133	P-3552	N/A	CHR Plastic (Top)	1
134	P-3553	N/A	CHR Plastic (Bottom)	1



TRUE FITNESS®

TRUE Part No: **7TCS6007**

Left CHR Grip Tube Weldment Assembly



Bill of Material:

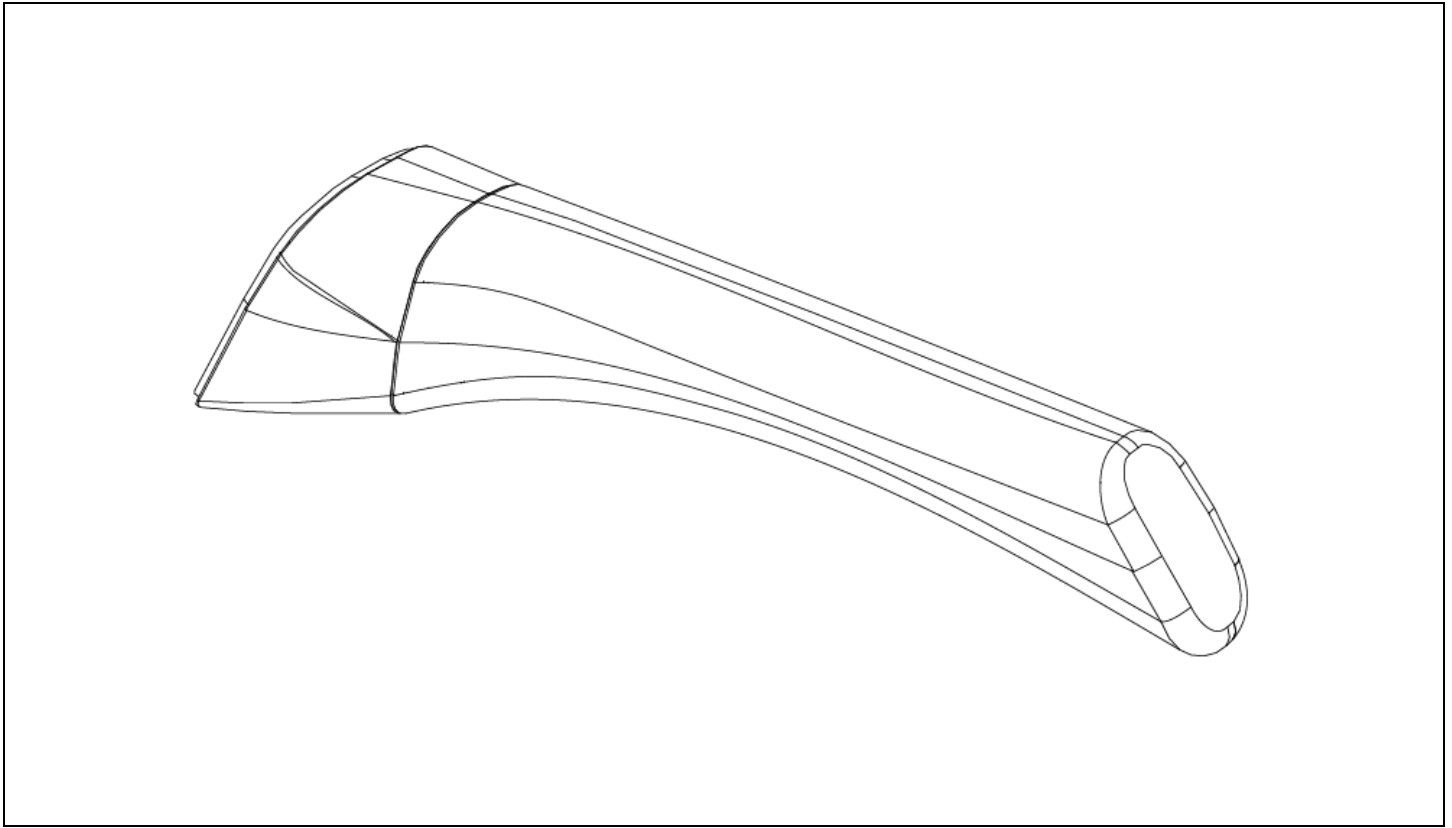
Key No	Vendor Part No.	TRUE Part Number	Description	Qty
192	JTDA045L	7TCS6007	CHR Grip Tube Weldment (Left)	1
194	PFM-079	7TCS6009	HDR Foam Grip	1
197	XEK-289	N/A	CHR Grip Board	1
195	RD-02-0005	7TCS0003	Click Touch Thumbswitch Incline (Left)	1
136D	XL-1535	7TCS0010	CHR Wire (Bottom)	1
133	P-3552	N/A	CHR Plastic (Top)	1
134	P-3553	N/A	CHR Plastic (Bottom)	1



TRUE FITNESS®

TRUE Part No: **7TCS6006**

Right Foam Arm



Bill of Material:

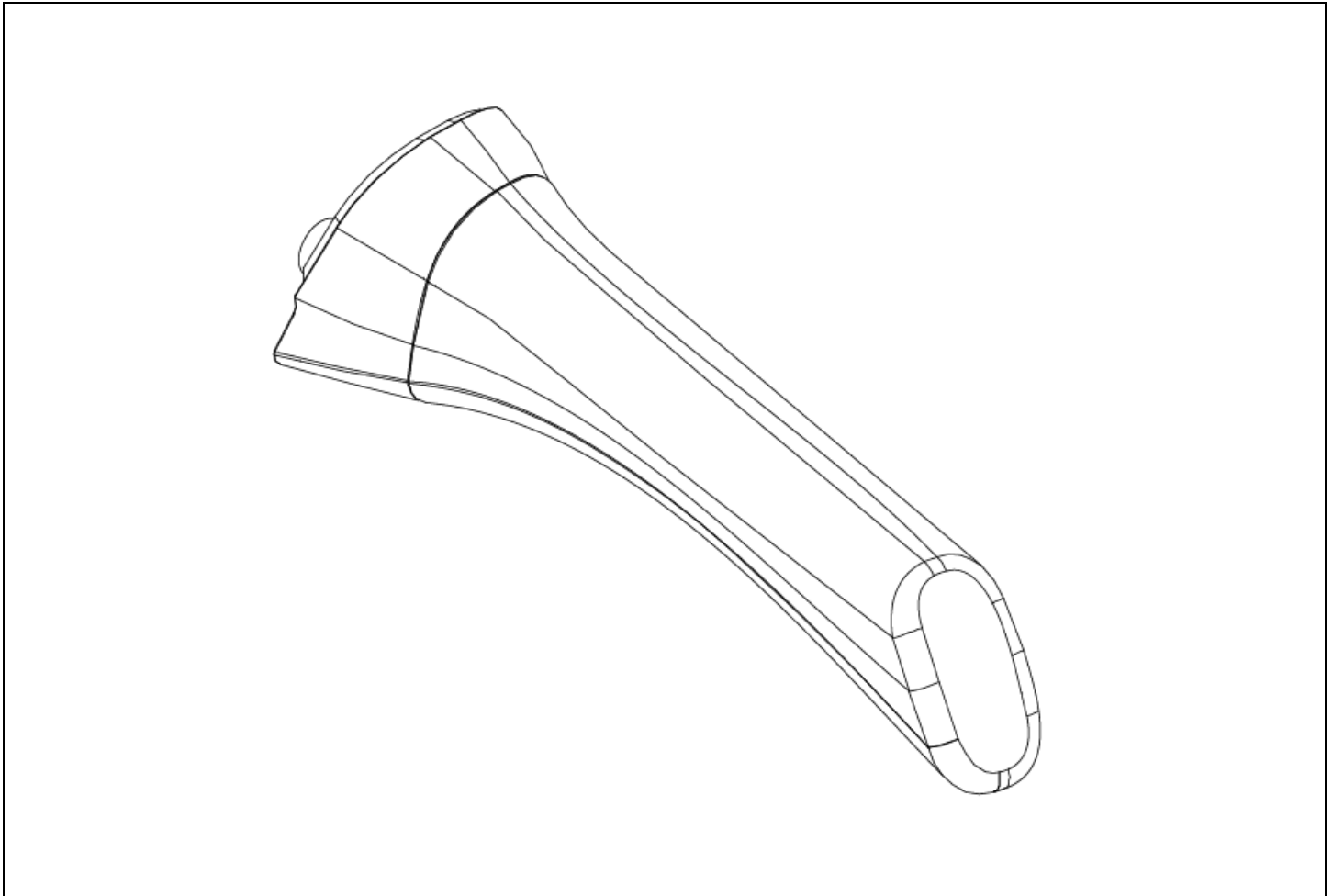
Key No	Vendor Part No.	TRUE Part Number	Description	Qty
151	JTDA046R	7TCS6006	Right Foam Arm	1



TRUE FITNESS®

TRUE Part No: **7TCS6005**

Left Foam Arm



Bill of Material:

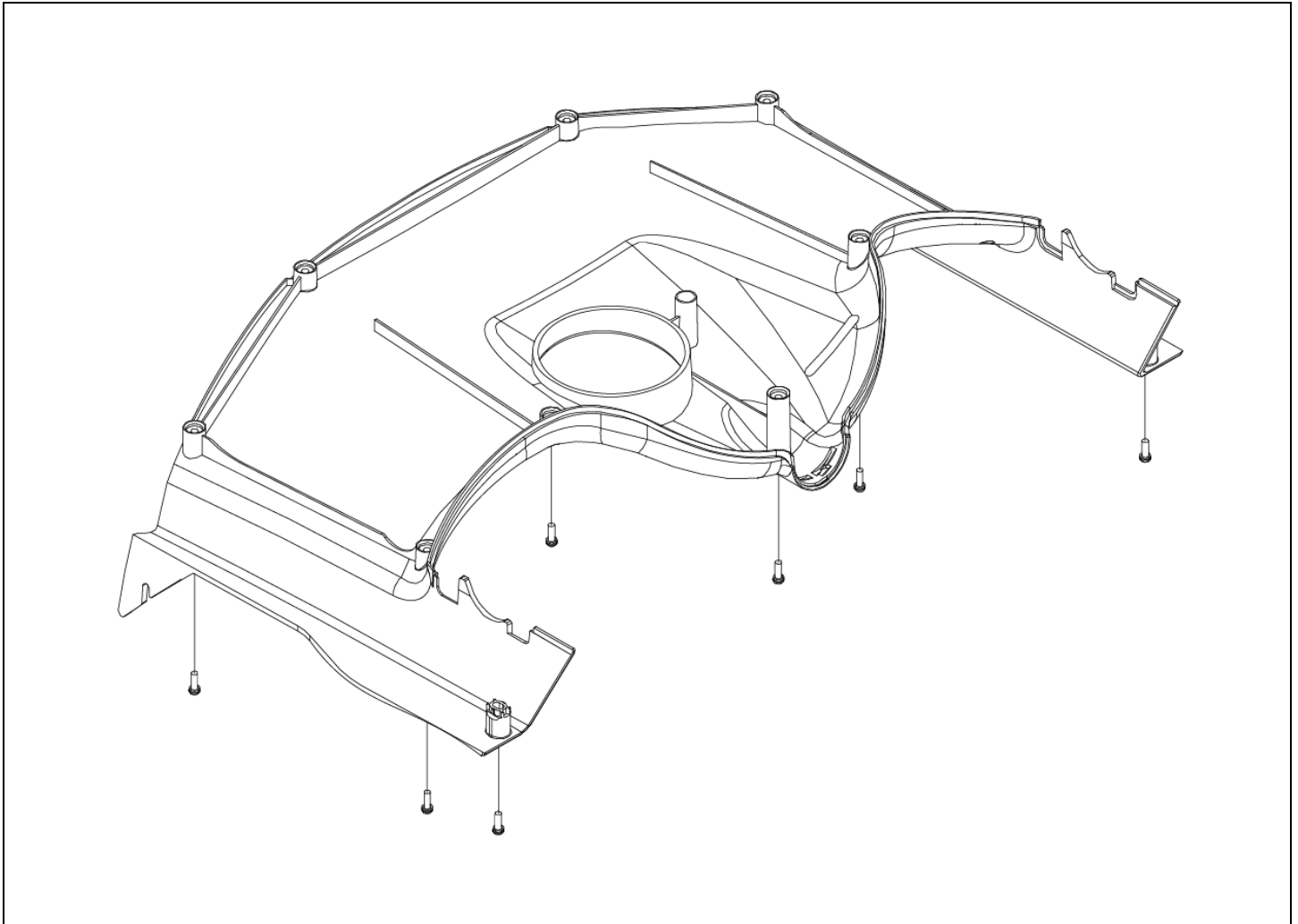
Key No	Vendor Part No.	TRUE Part Number	Description	Qty
150	JTDA046L	7TCS6005	Left Foam Arm	1



TRUE FITNESS®

TRUE Part No: **7TCS6004**

Bottom Shoulder Plastic Assembly



Bill of Material:

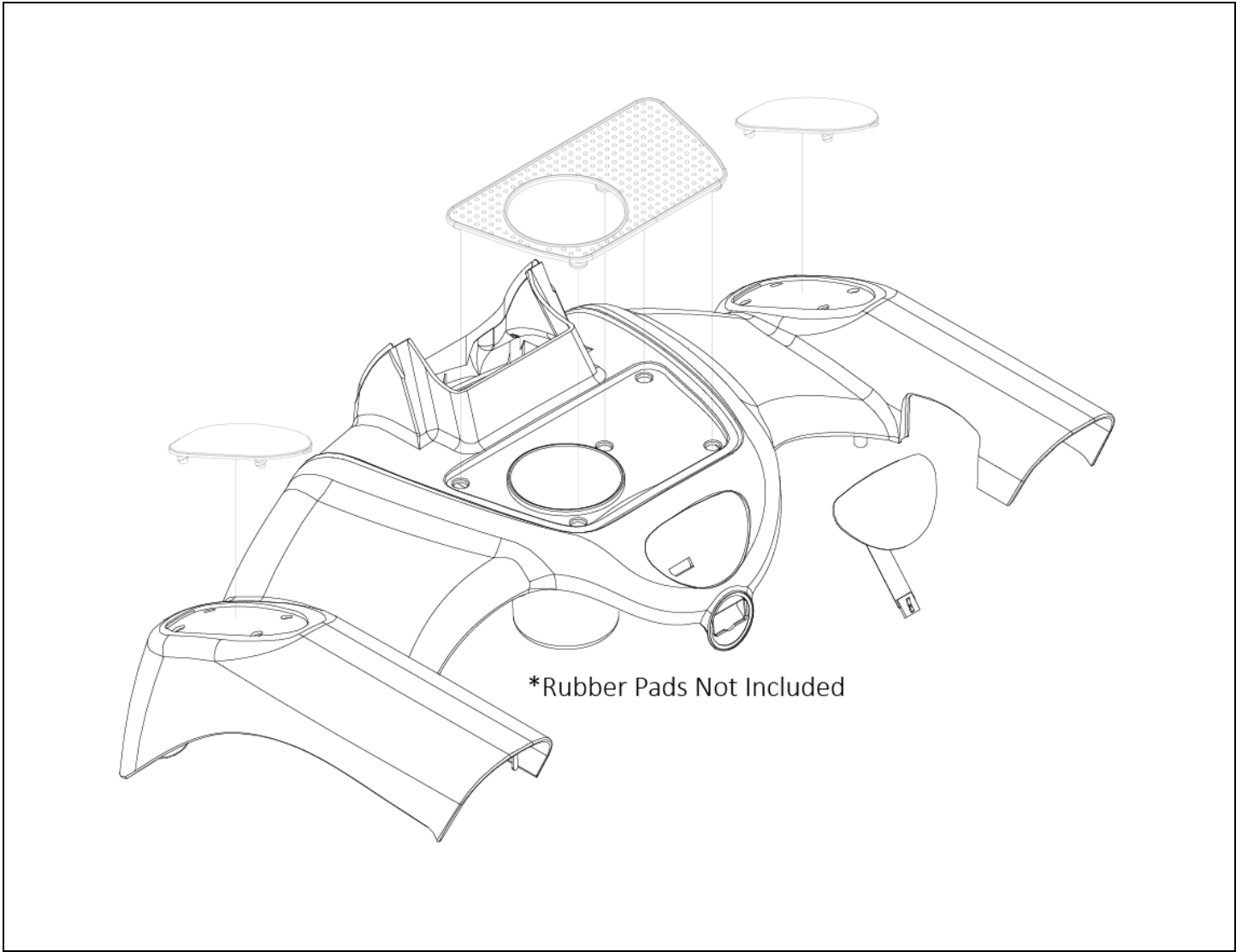
Key No	Vendor Part No.	TRUE Part Number	Description	Qty
146	P-3579	7TCS6004	Bottom Shoulder Plastic	1
202	SK-576	7TCS0024	SEMS Bolt M4xP0.7x12 Nylok	10



TRUE FITNESS®

TRUE Part No: **7TCS6003**

Top Shoulder Plastic Assembly



Bill of Material:

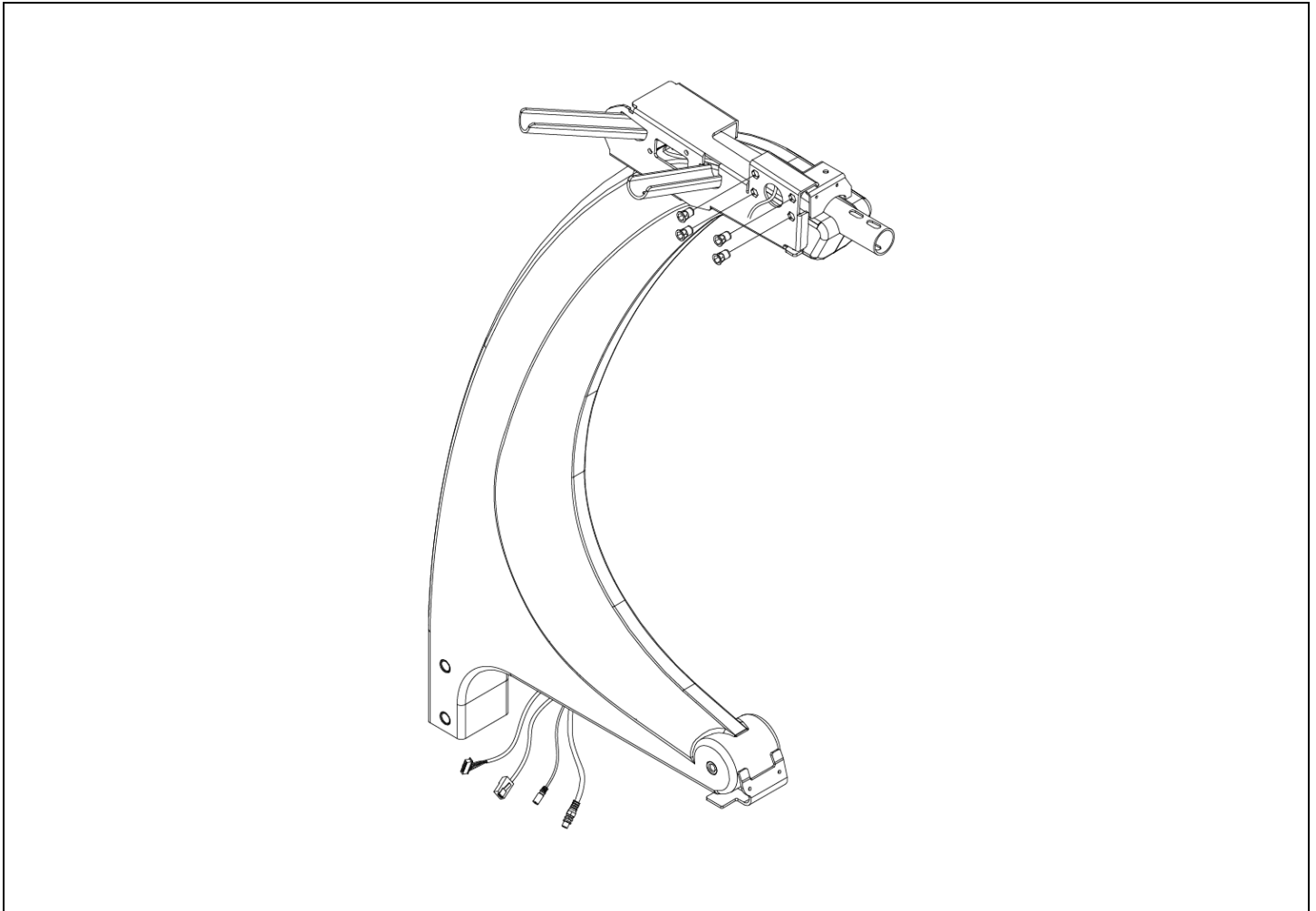
Key No	Vendor Part No.	TRUE Part Number	Description	Qty
144	P-3575	7TCS6003	Top Shoulder Plastic	1
141	RD-03-0009	7TCS0011	Membrane Overlay	1



TRUE FITNESS®

TRUE Part No: **7TCS6002**

Pedestal Assembly (R)



Bill of Material:

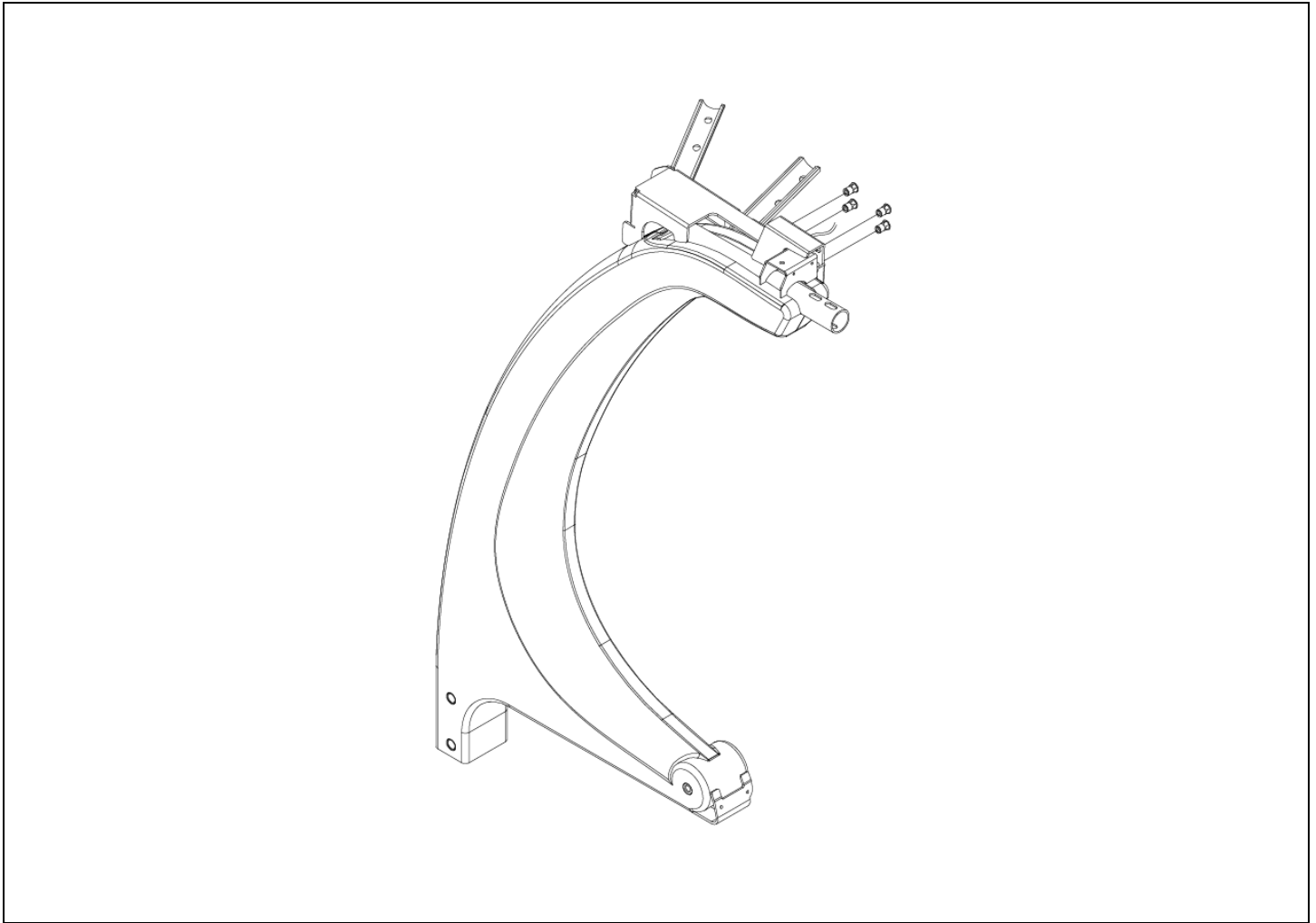
Key No	Vendor Part No.	TRUE Part Number	Description	Qty
2	JTCB065	7TCS6002	Pedestal (R)	1
219A	XL-1033B	7TCS0020	IOLCB Cable (Upper)	1
218A	XL-1052B	7TCS0019	Lower Ethernet Cable	1
173	XL-1532B	7TCS0014	External DC Pedestal Extension Cable	1
171	XL-1051B	7TCS0013	Lower Coaxial Cable	1
83	SOF1-4	N/A	Rivnut ¼-20 Hex.	4
136C	XL-1534	7TCS0009	Middle CHR Wire	1



TRUE FITNESS®

TRUE Part No: **7TCS6001**

Pedestal Assembly (L)



Bill of Material:

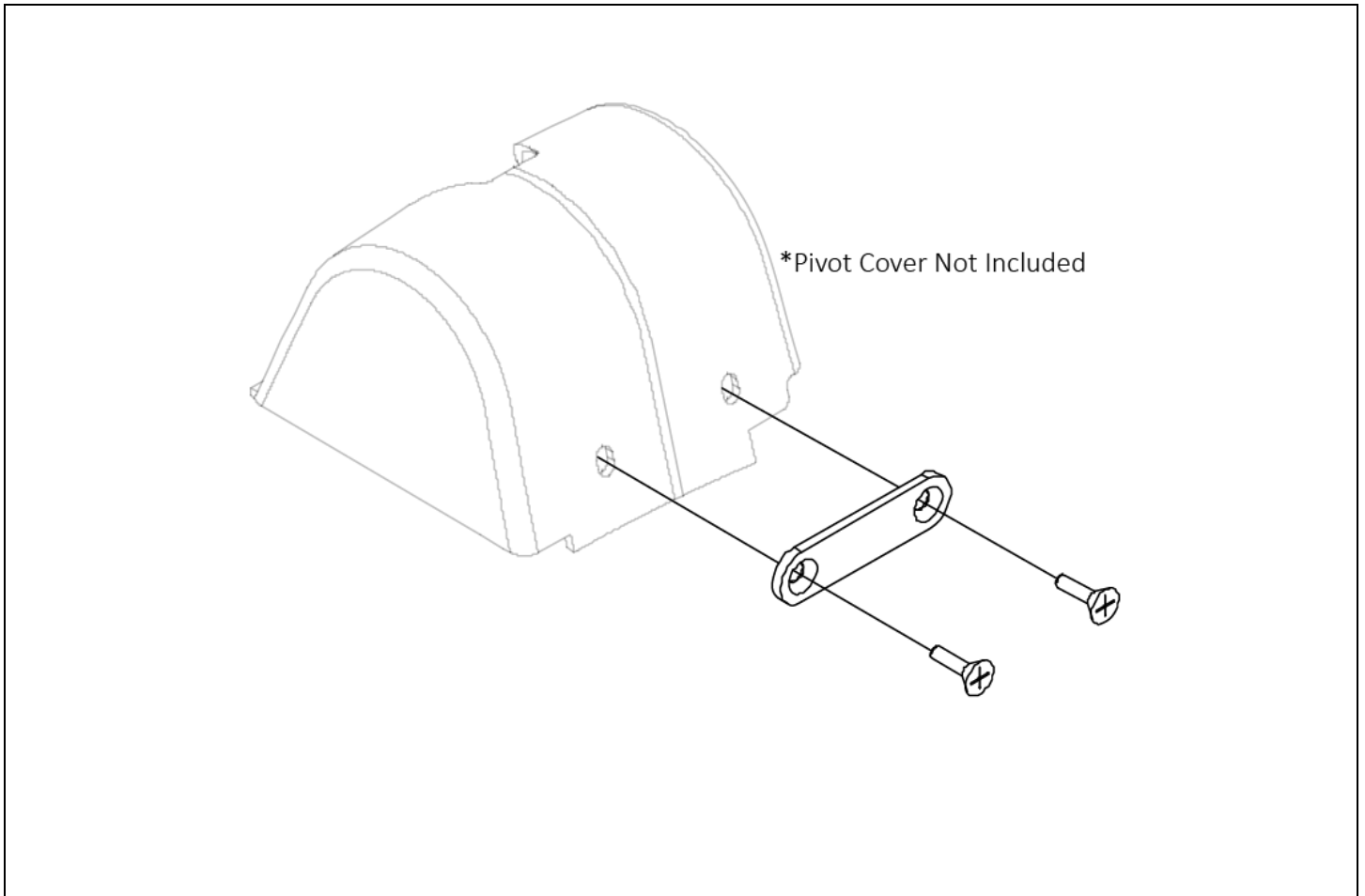
Key No	Vendor Part No.	TRUE Part Number	Description	Qty
1	JTCA072	7TCS6001	Pedestal (L)	1
83	SOF1-4	N/A	Rivnut ¼-20 Hex.	4
136C	XL-1534	7TCS0009	Middle CHR Wire	1



TRUE FITNESS®

TRUE Part No: 7TCS0029

Pivot Cover Plate w/Screws



Bill of Material:

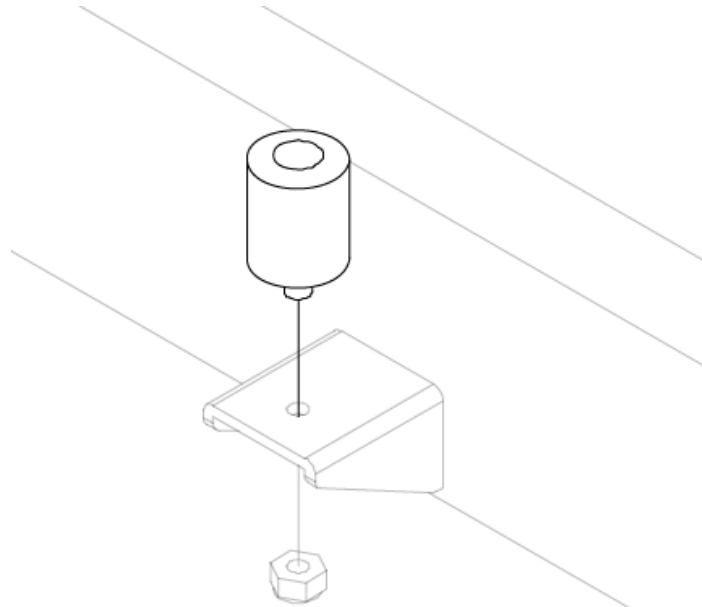
Key No	Vendor Part No.	TRUE Part Number	Description	Qty
111	NO-4500	N/A	Pivot Cover Plate	1
112	SHA #10-15	N/A	Bolt #10-32 UNF x 15	2



TRUE FITNESS®

TRUE Part No: **7TCS0026**

Short Deck Bumper



*Frame & Nut Not Included

Bill of Material:

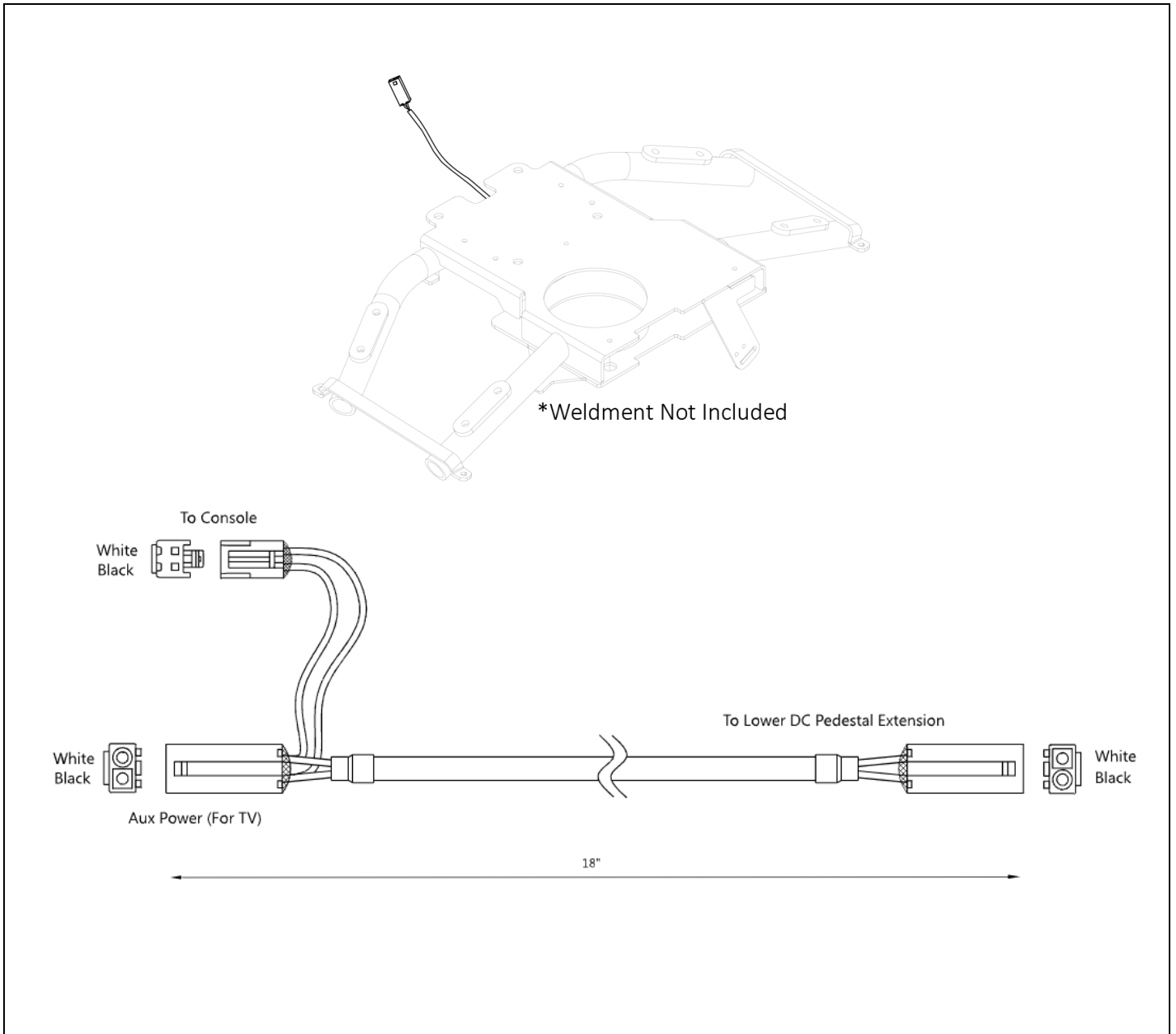
Key No	Vendor Part No.	TRUE Part Number	Description	Qty
56	P-2347	7TCS0026	Short Deck Bumper	1



TRUE FITNESS®

TRUE Part No: **7TCS0011**

Upper External DC Pedestal Cable



Bill of Material:

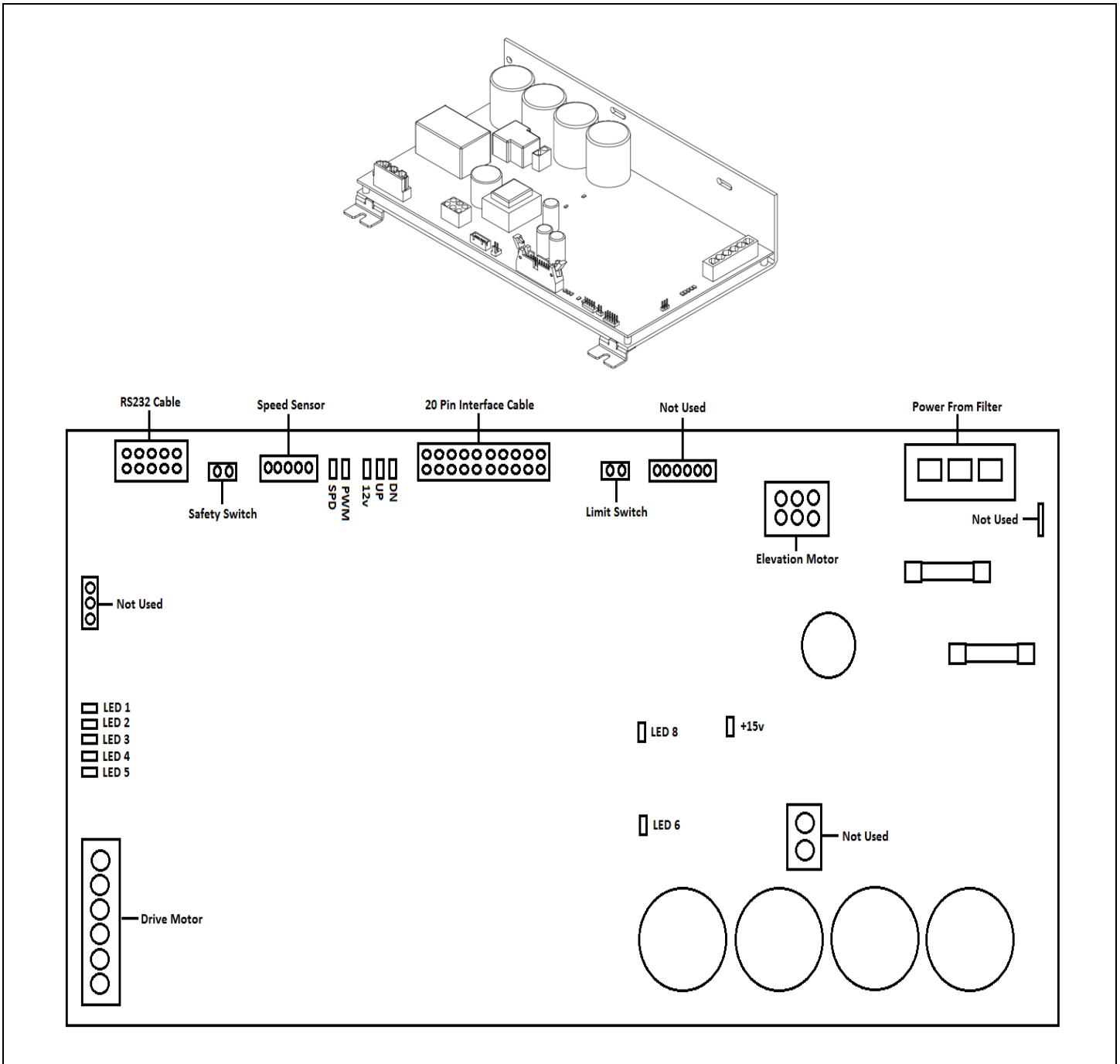
Key No	Vendor Part No.	TRUE Part Number	Description	Qty
172	N/A	7TCS0011	Upper External DC Pedestal Cable	1



TRUE FITNESS®

TRUE Part No: **70560500**

120V Motor Controller



Bill of Material:

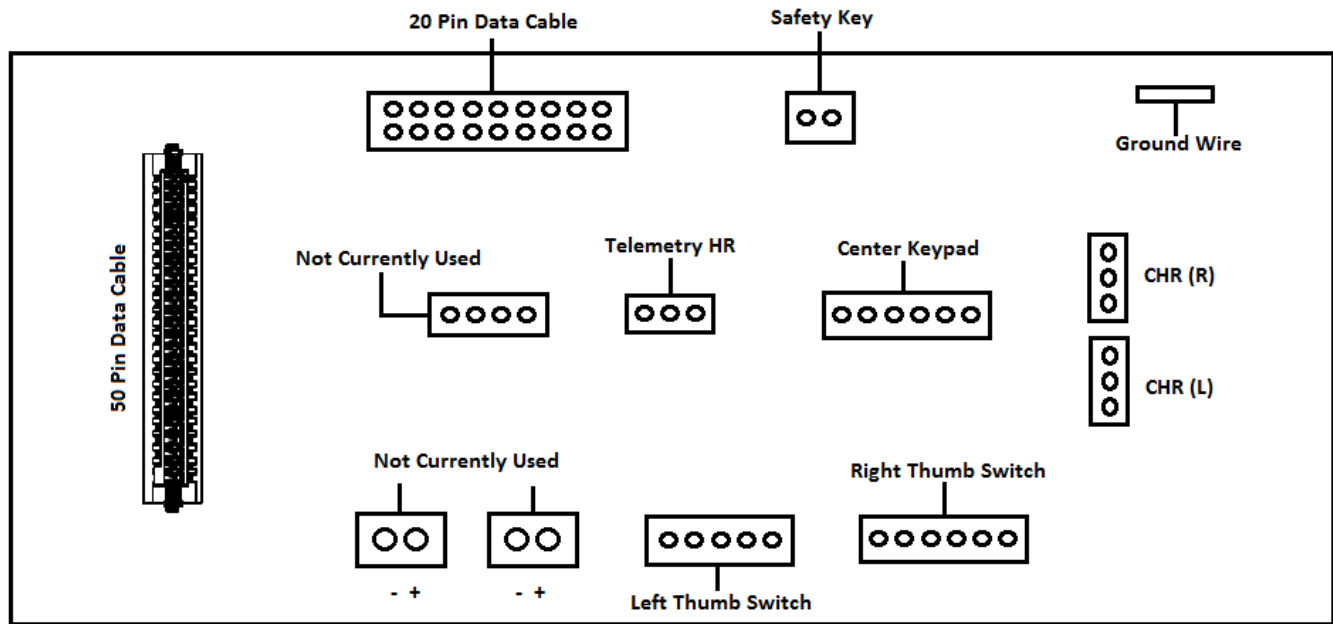
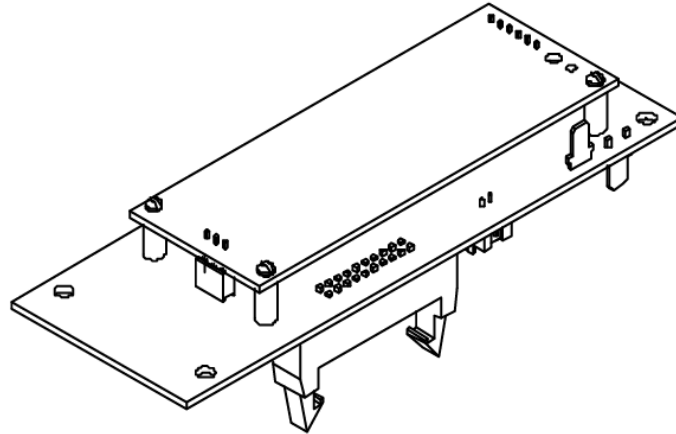
Key No	Vendor Part No.	TRUE Part Number	Description	Qty
23	XRB-028-022	70560500	Motor Controller, ACMC 120V ACK7T	1



TRUE FITNESS®

TRUE Part No: 70505000

Breakout Board



Bill of Material:

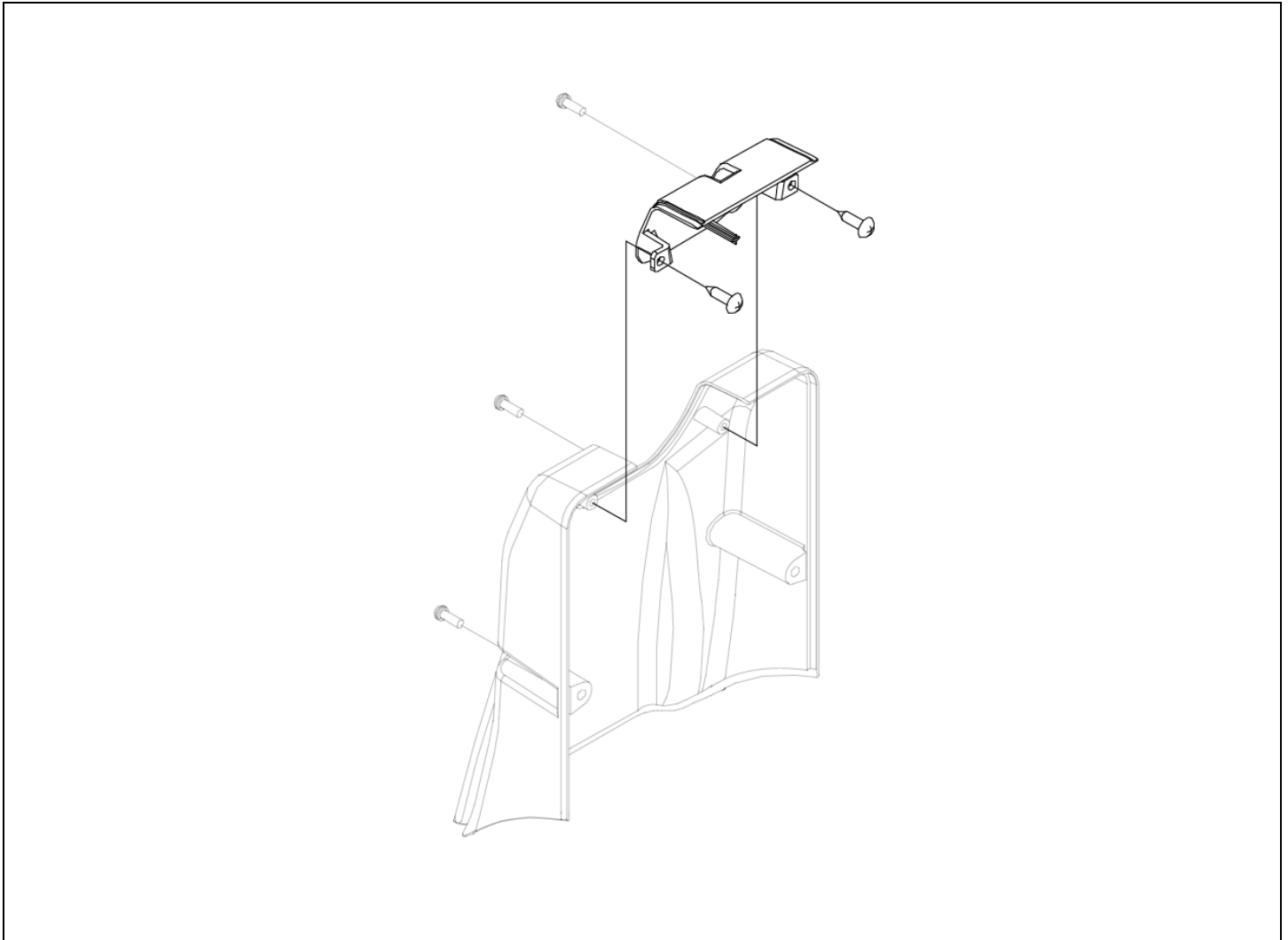
Key No	Vendor Part No.	TRUE Part Number	Description	Qty
126	XEK-286	70505000	Breakout Board	1



TRUE FITNESS®

TRUE Part No: **7TCS4015**

Console Rear Cover Insert Assembly



Bill of Material:

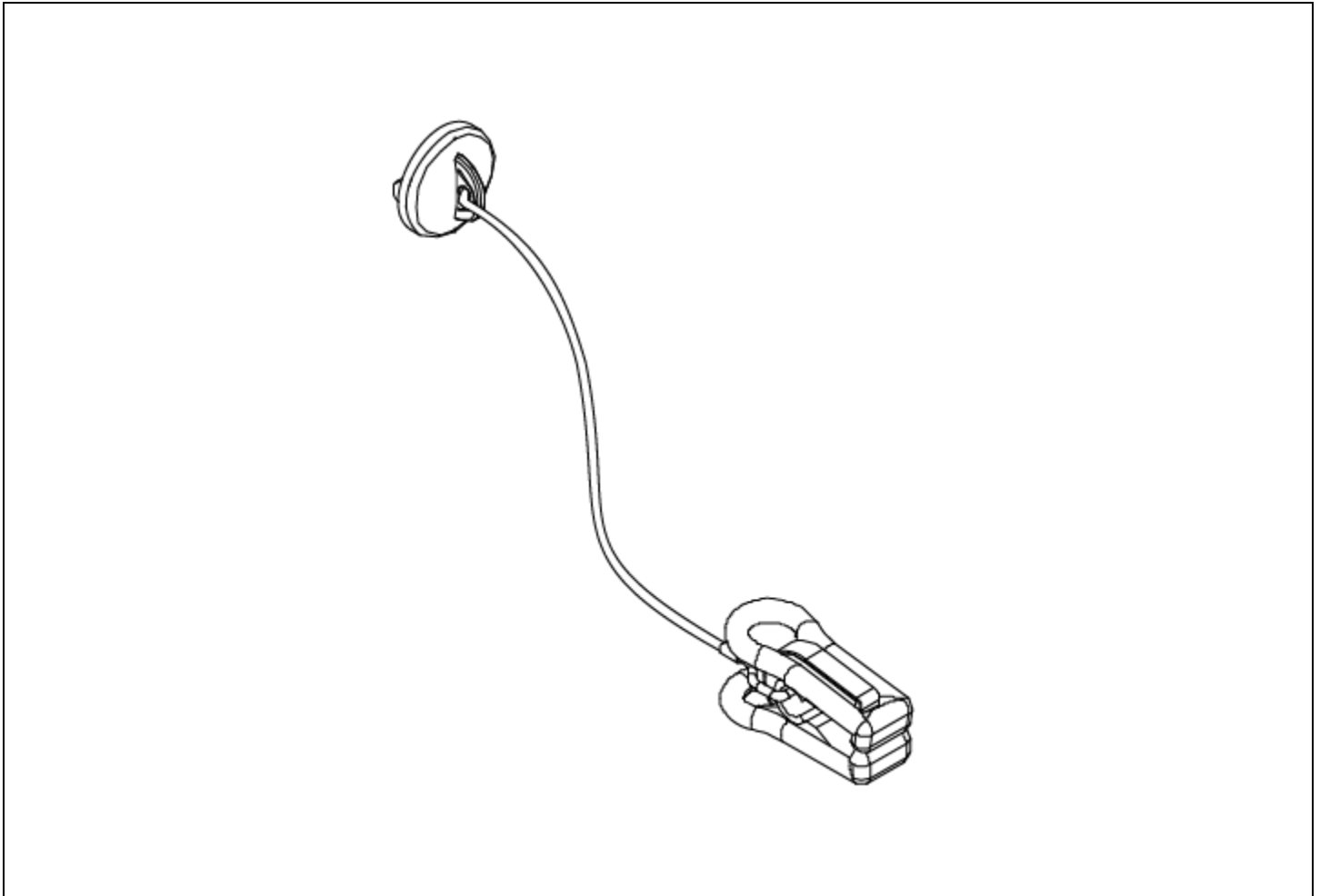
Key No	Vendor Part No.	TRUE Part Number	Description	Qty
202	P-3572	N/A	Console Rear Cover Insert	1
203	SCI4-12	7RT0137	Bolt Φ 4x12	2



TRUE FITNESS®

TRUE Part No: 7TCS0001

Safety Key



Bill of Material:

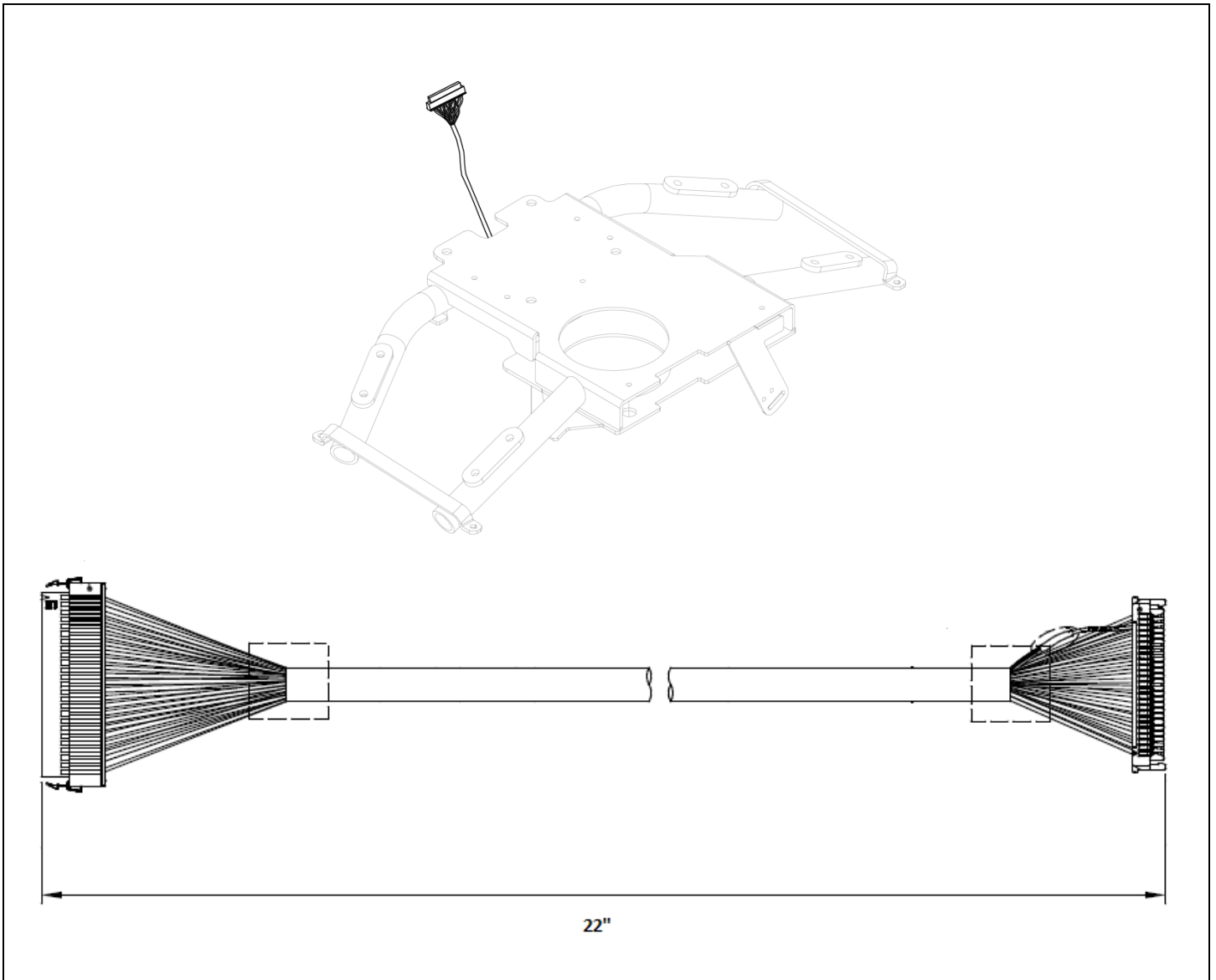
Key No	Vendor Part No.	TRUE Part Number	Description	Qty
11	HTHA006	7TCS0001	Safety Key	1



TRUE FITNESS®

TRUE Part No: **70592400**

50 Pin Data Cable



Bill of Material:

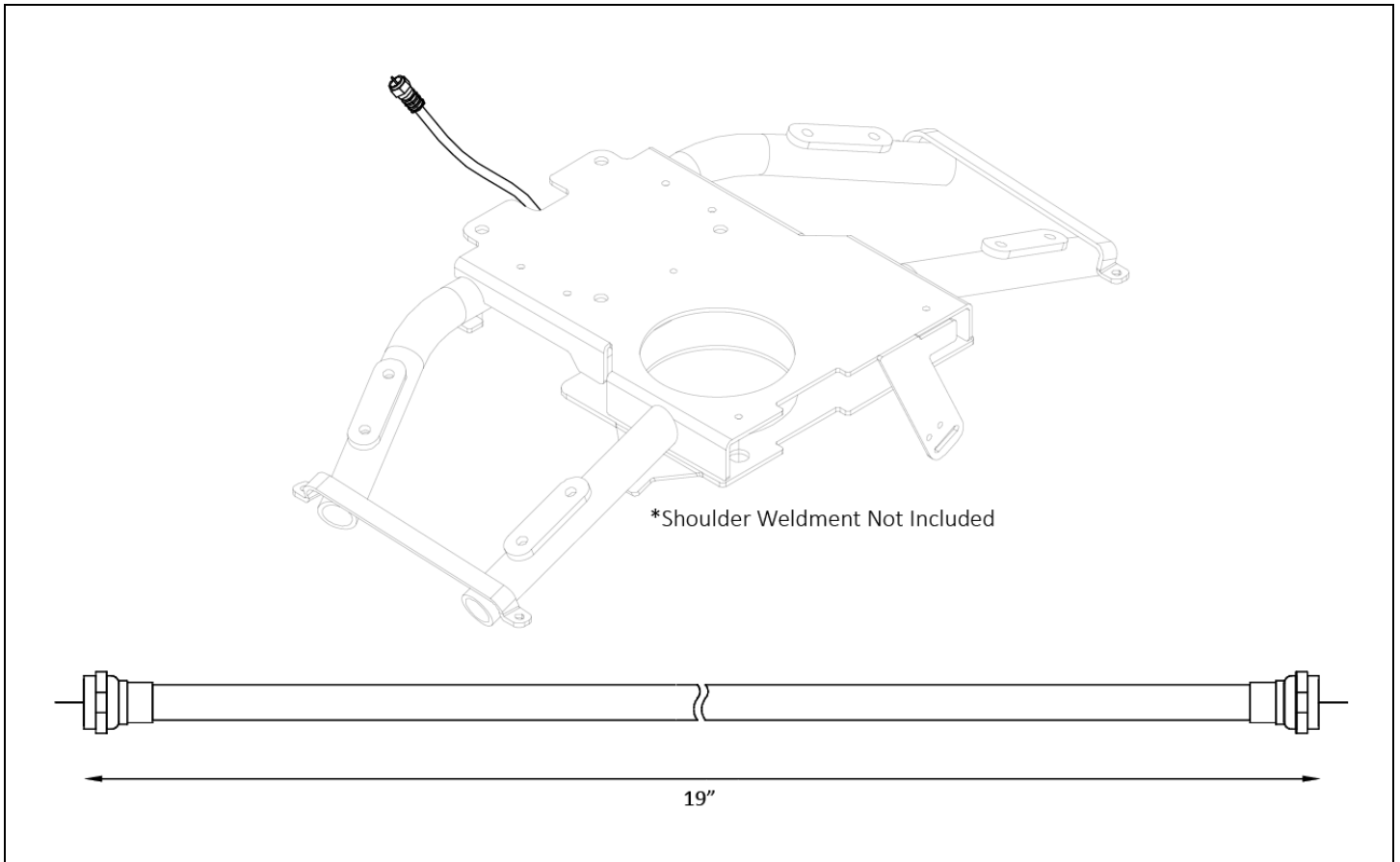
Key No	Vendor Part No.	TRUE Part Number	Description	Qty
168	XL-1542	70592400	50 Pin Data Cable	1



TRUE FITNESS®

TRUE Part No: **7CT0022**

Upper Coax Cable 19"



Bill of Material:

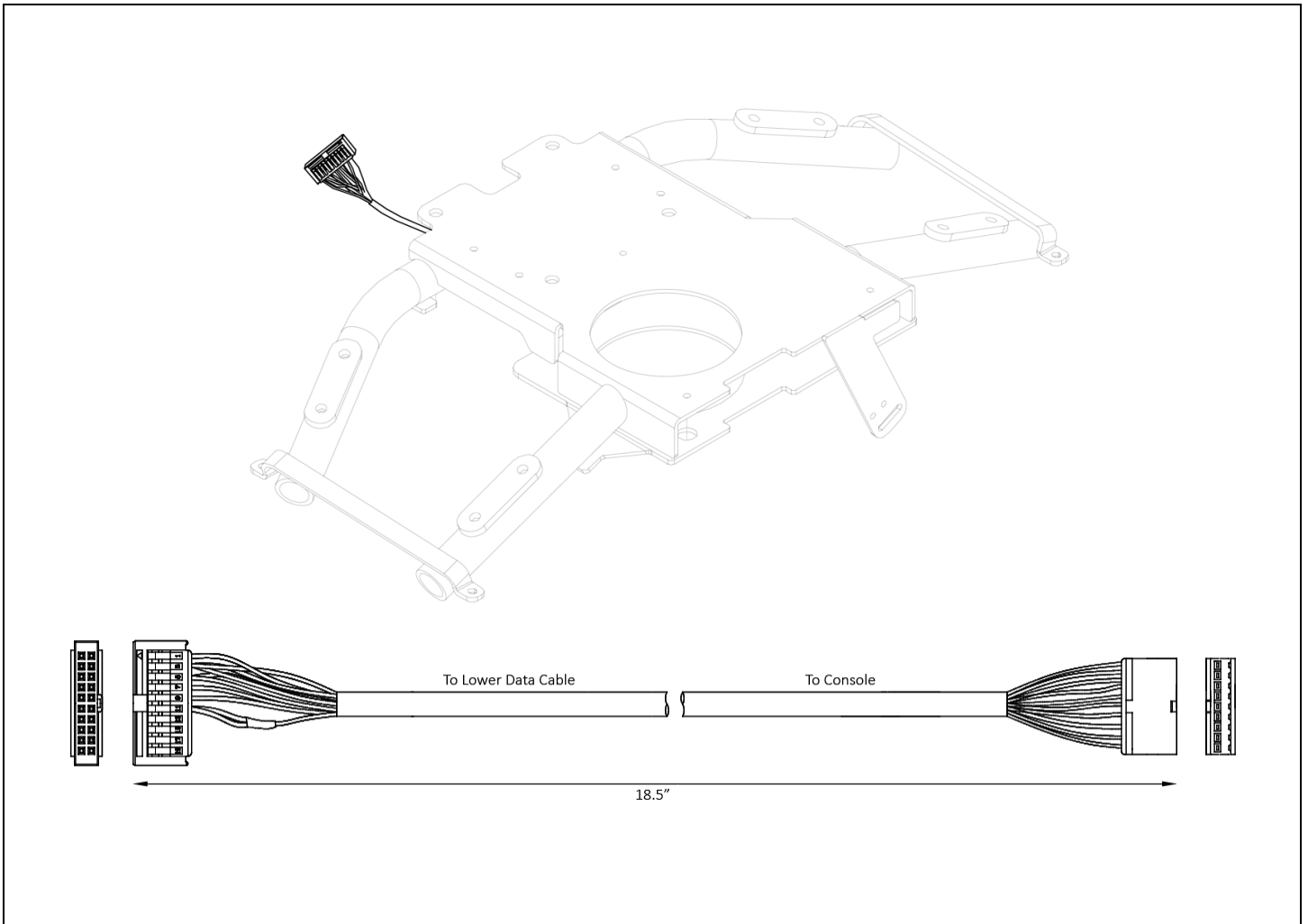
Key No	Vendor Part No.	TRUE Part Number	Description	Qty
171	XL-1051B	7CT0022	Upper Coax Cable 19"	1



TRUE FITNESS®

TRUE Part No: 7TCS0020

Upper IOLCB Cable



Bill of Material:

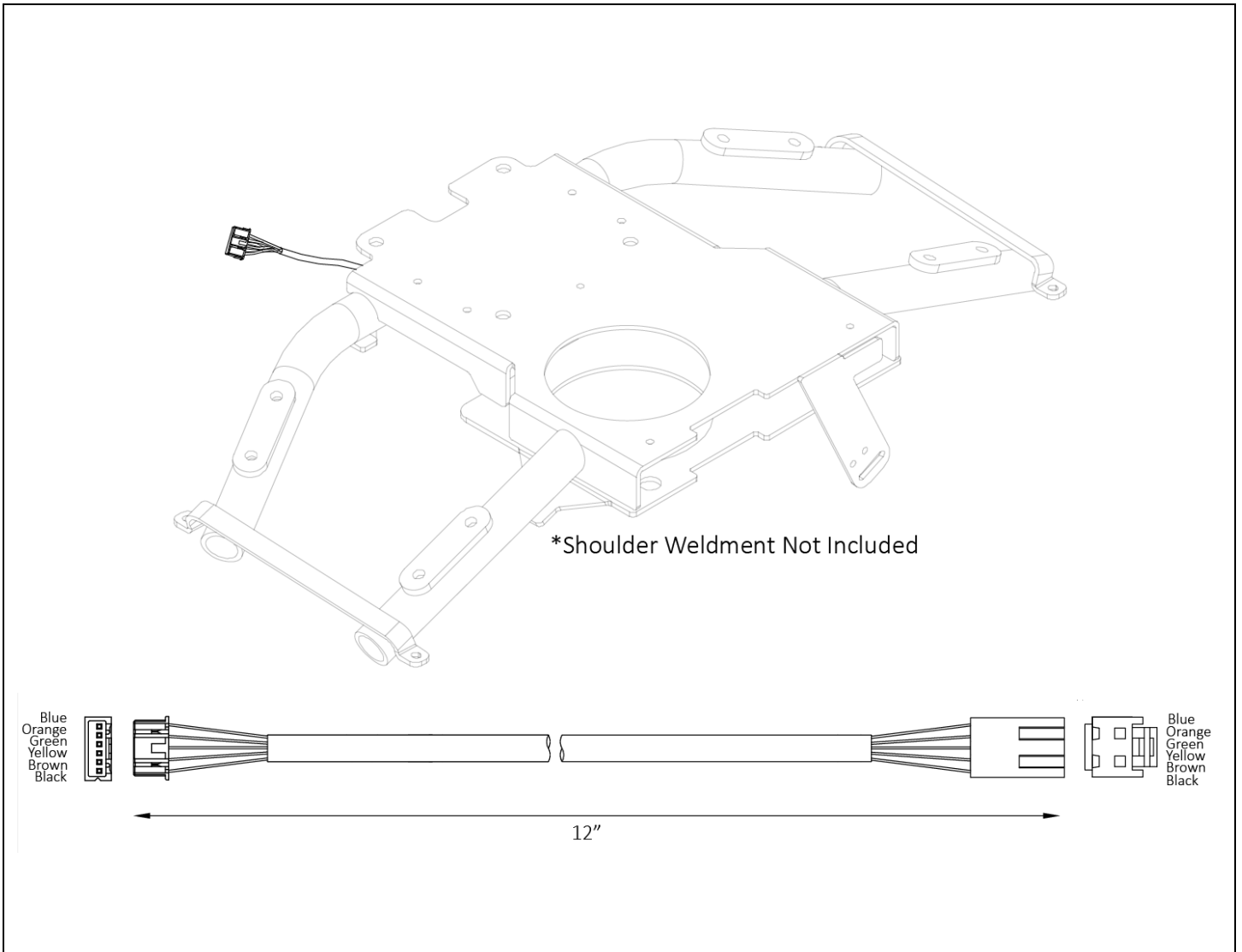
Key No	Vendor Part No.	TRUE Part Number	Description	Qty
207	XL-1533A	7TCS0020	Upper IOLCB Cable	1



TRUE FITNESS®

TRUE Part No: 7TCS0015

Membrane Key Wire



Bill of Material:

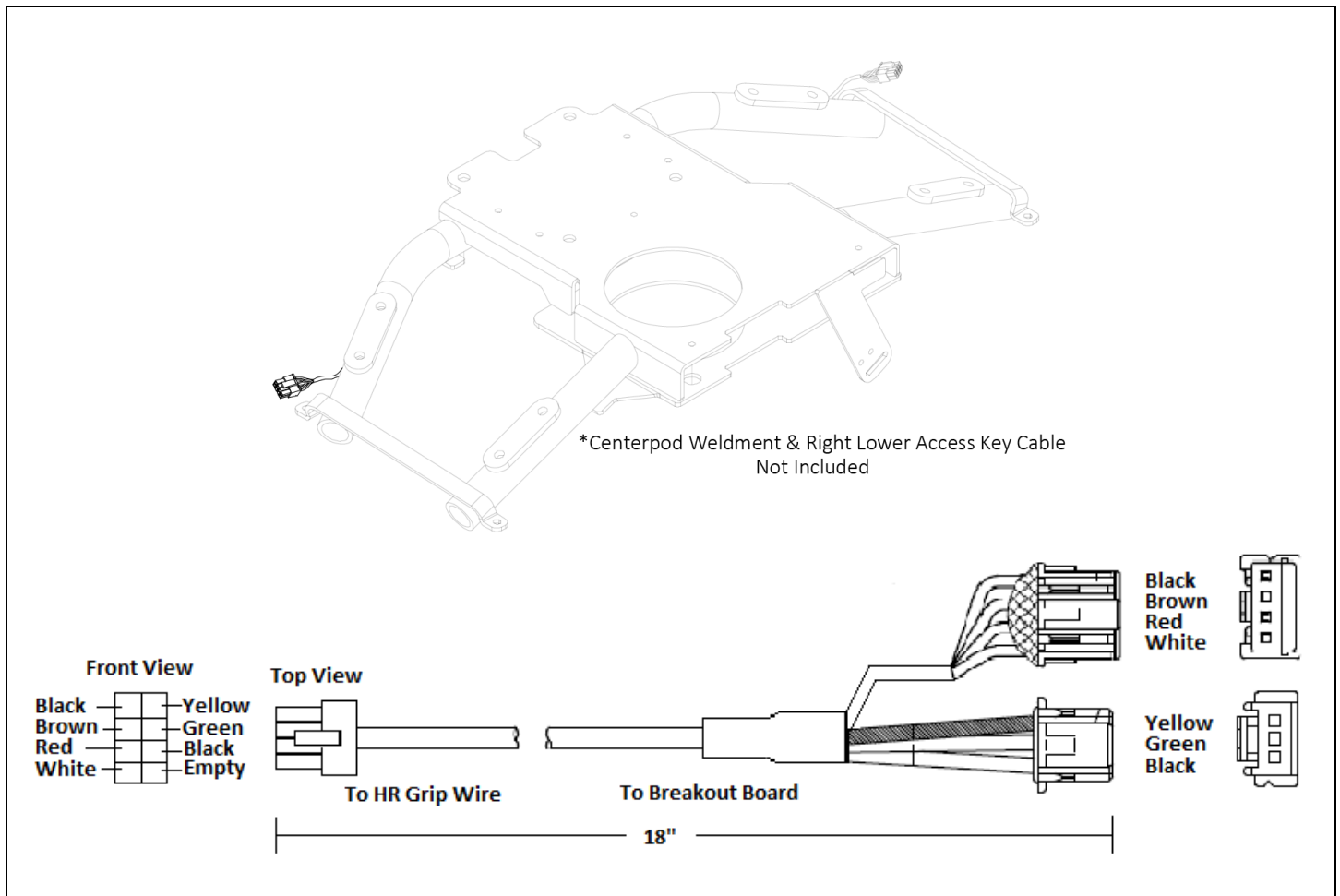
Key No	Vendor Part No.	TRUE Part Number	Description	Qty
175	XL-1539	7TCS0015	Membrane Key Wire	1



TRUE FITNESS®

TRUE Part No: 7TCS0007

Left CHR Wire (Top)



Bill of Material:

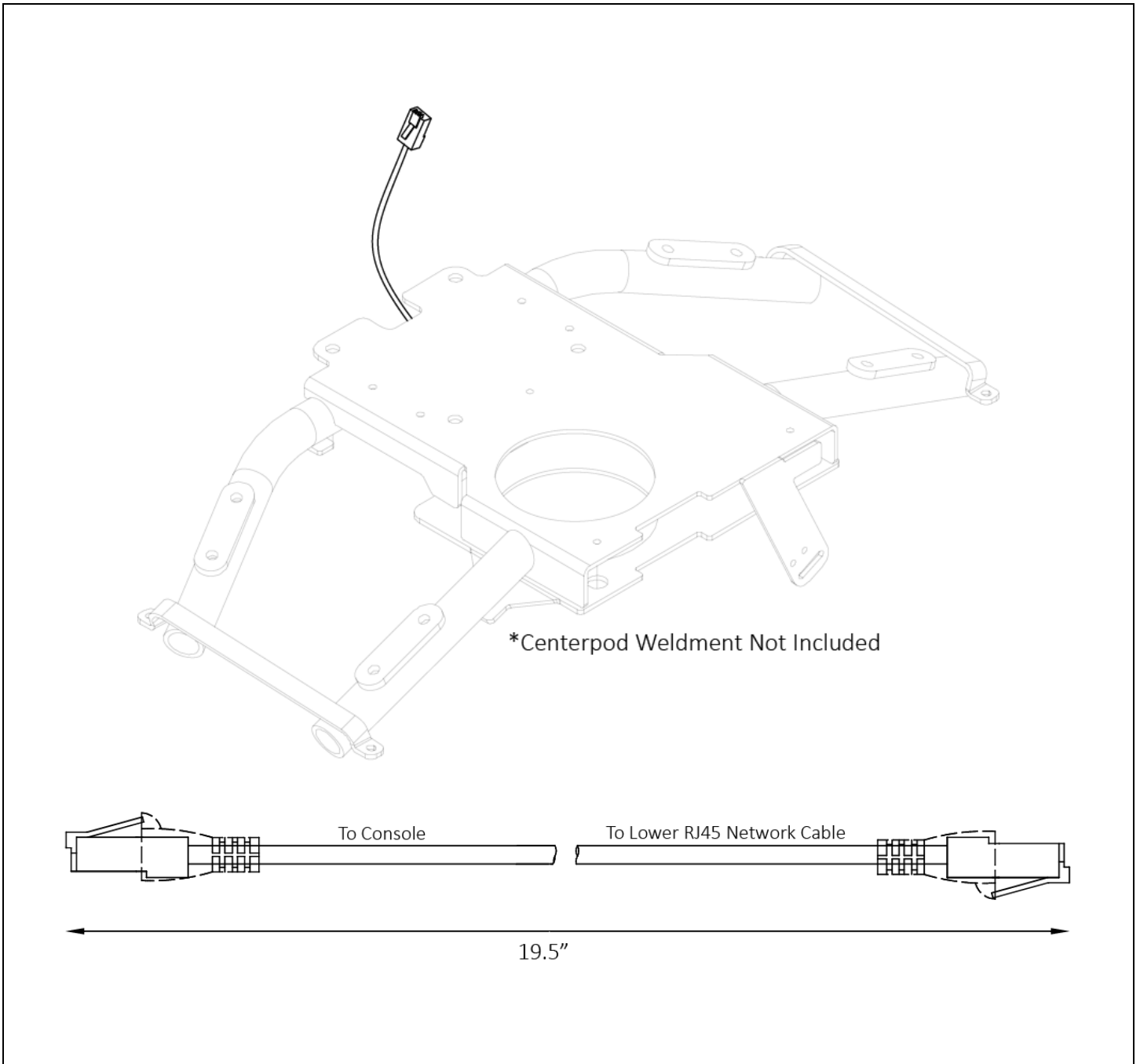
Key No	Vendor Part No.	TRUE Part Number	Description	Qty
136A	XL-1536L	7TCS0007	Left CHR Wire (Top)	1



TRUE FITNESS®

TRUE Part No: **7TCS0018**

Upper RJ45 Network Cable



Bill of Material:

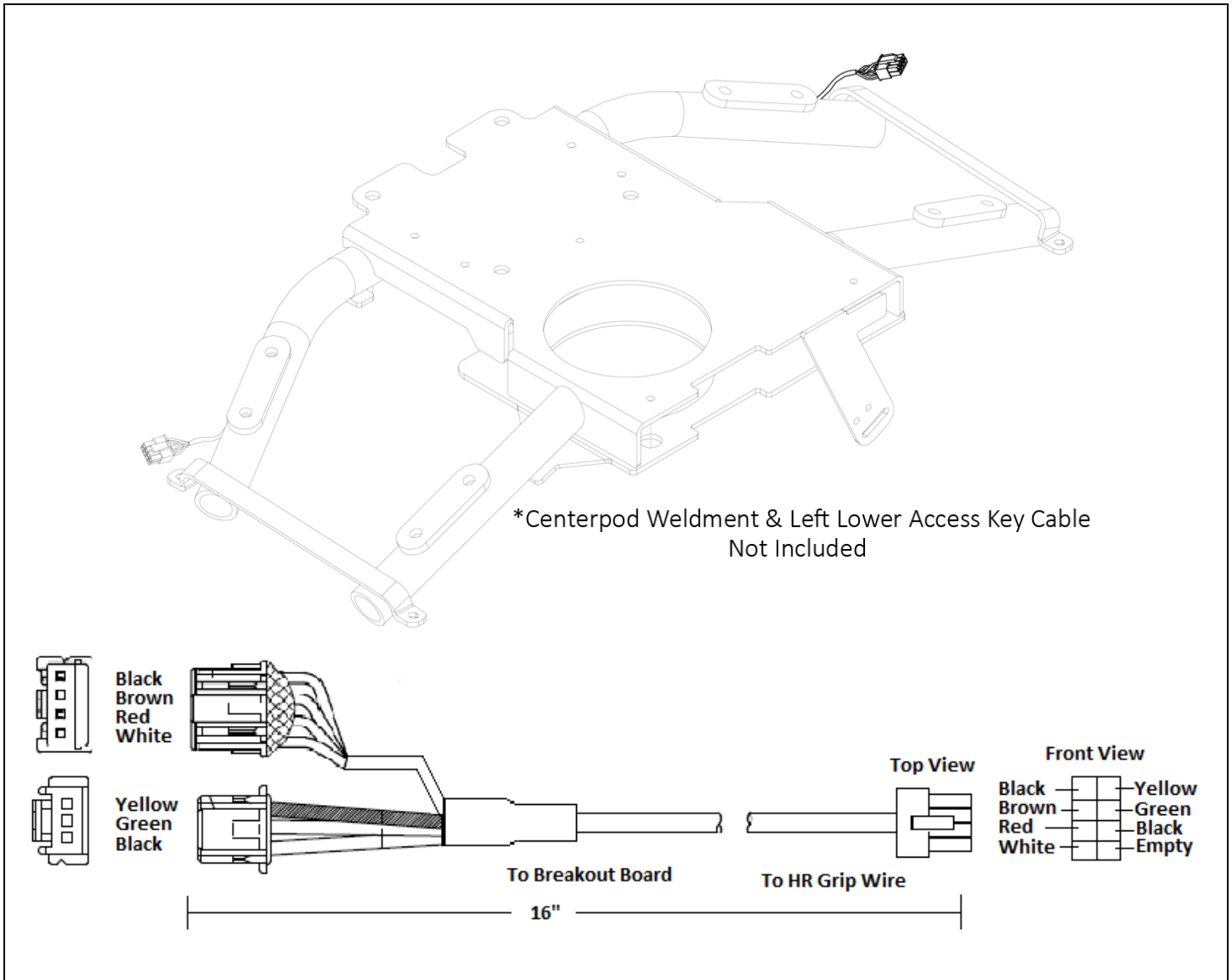
Key No	Vendor Part No.	TRUE Part Number	Description	Qty
218	XL-1541A	7TCS0018	Upper RJ45 Network Cable	1



TRUE FITNESS®

TRUE Part No: 7TCS0008

Right CHR Wire (Top)



Bill of Material:

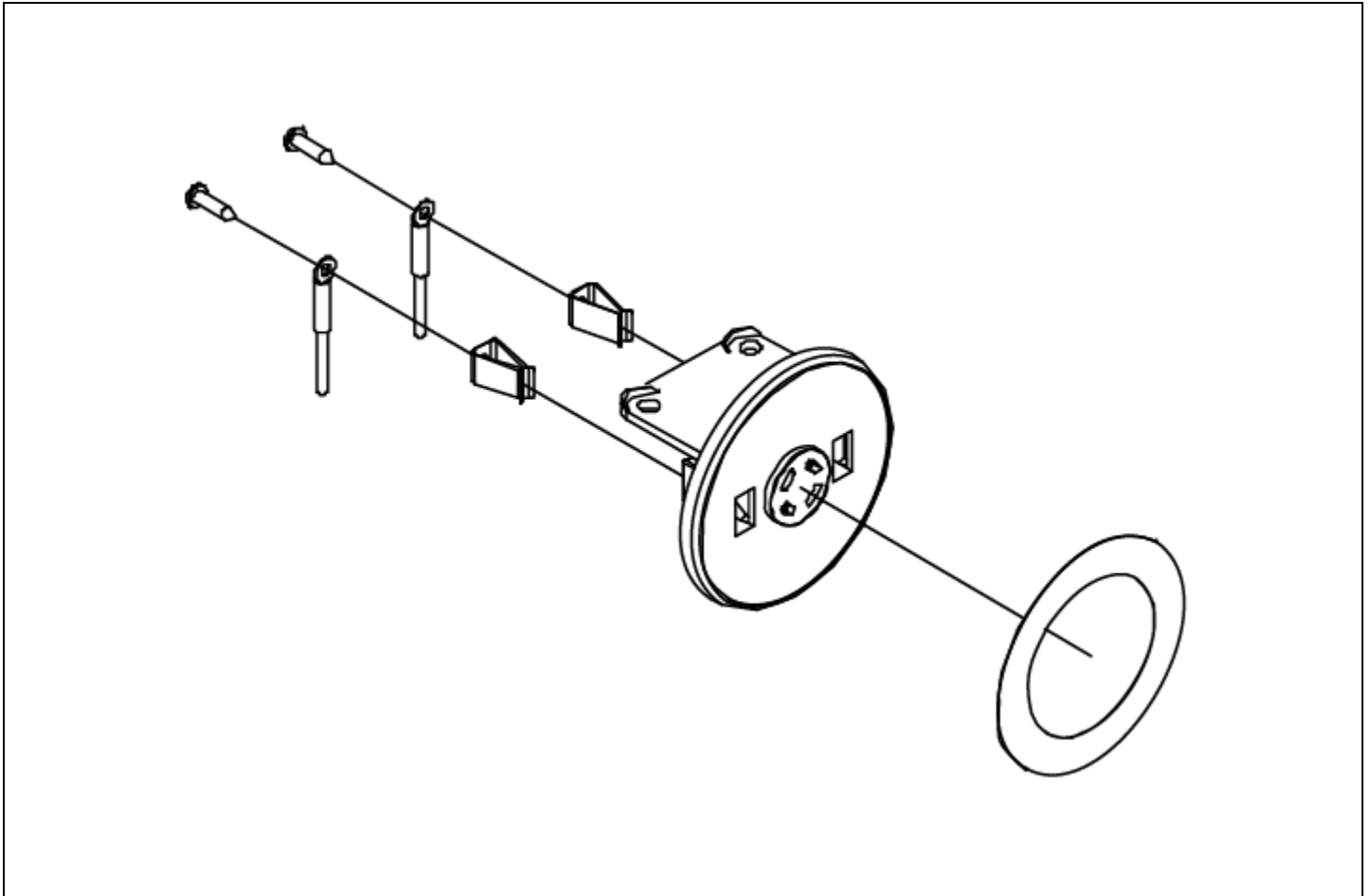
Key No	Vendor Part No.	TRUE Part Number	Description	Qty
136B	XL-1536R	7TCS0008	Right CHR Wire (Top)	1



TRUE FITNESS®

TRUE Part No: **7TCS0017**

Safety Key Inlet Assembly



Bill of Material:

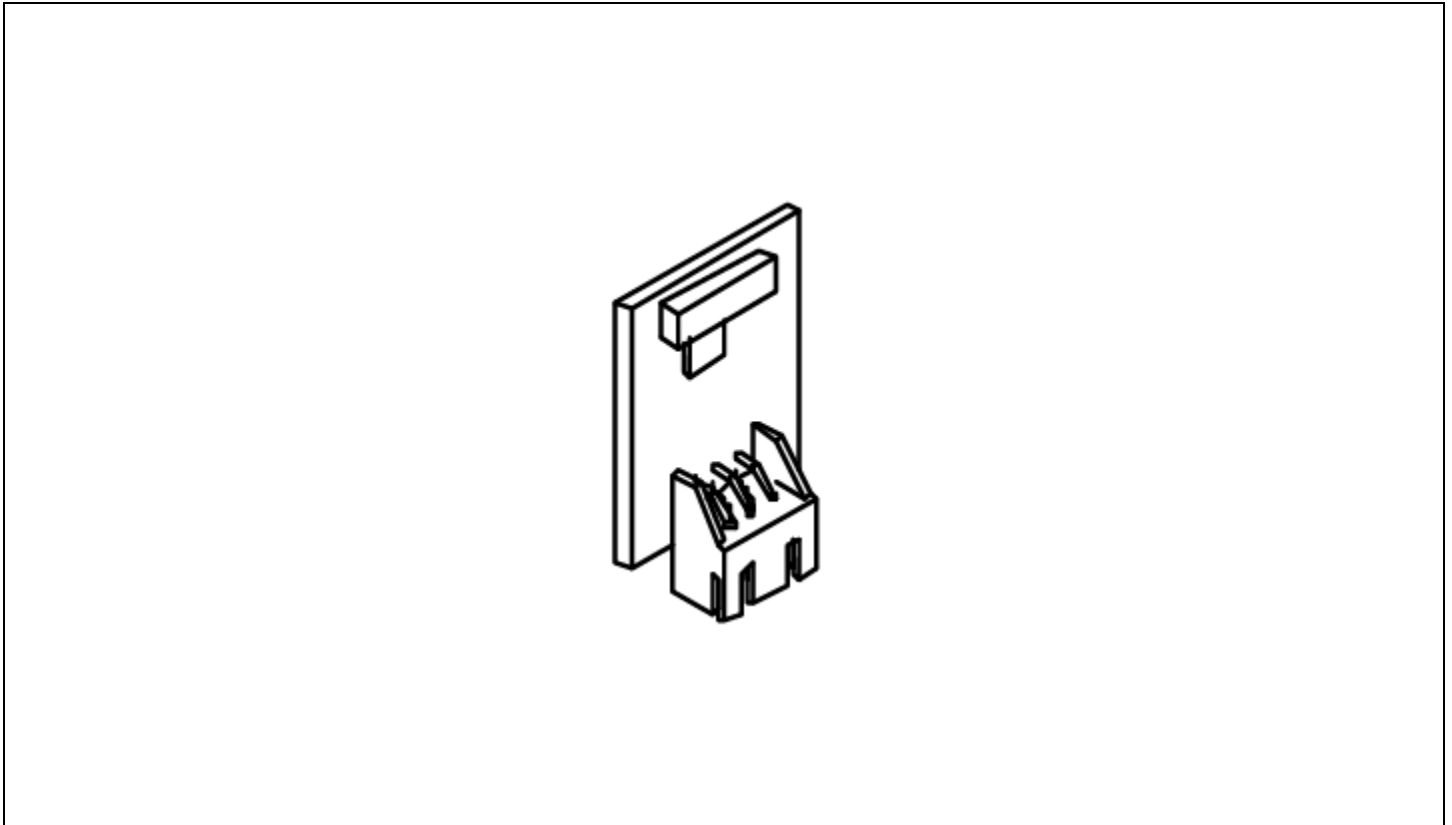
Key No	Vendor Part No.	TRUE Part Number	Description	Qty
192	P-3564	N/A	Safety Key Holder	1
142	RBA-044	N/A	Sticker	1
193	NO-5834	N/A	Clip	2
193A	XL-1538	N/A	Safety Key Wire	1
194	SAI2-6S	N/A	Bolt 3/10	2



TRUE FITNESS®

TRUE Part No: **7TCS0022**

Polar HR Board Assembly



Bill of Material:

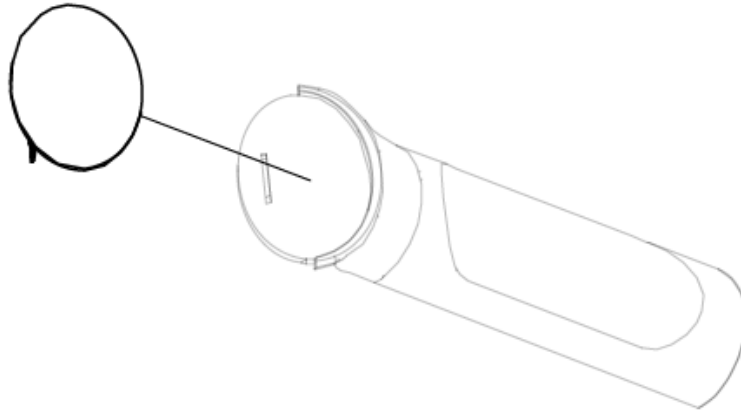
Key No	Vendor Part No.	TRUE Part Number	Description	Qty
N/A	XHB-RE07S	N/A	Polar Receiver	1
N/A	BAC0200-200-30	N/A	Double Sided Tape 20mmx20mmx3.0T	1
208	XL-1537	N/A	Polar Telemetry Board	1



TRUE FITNESS®

TRUE Part No: **70589300**

Right Click Touch Thumbswitch (Speed)



*CHR Grip Not Included

Bill of Material:

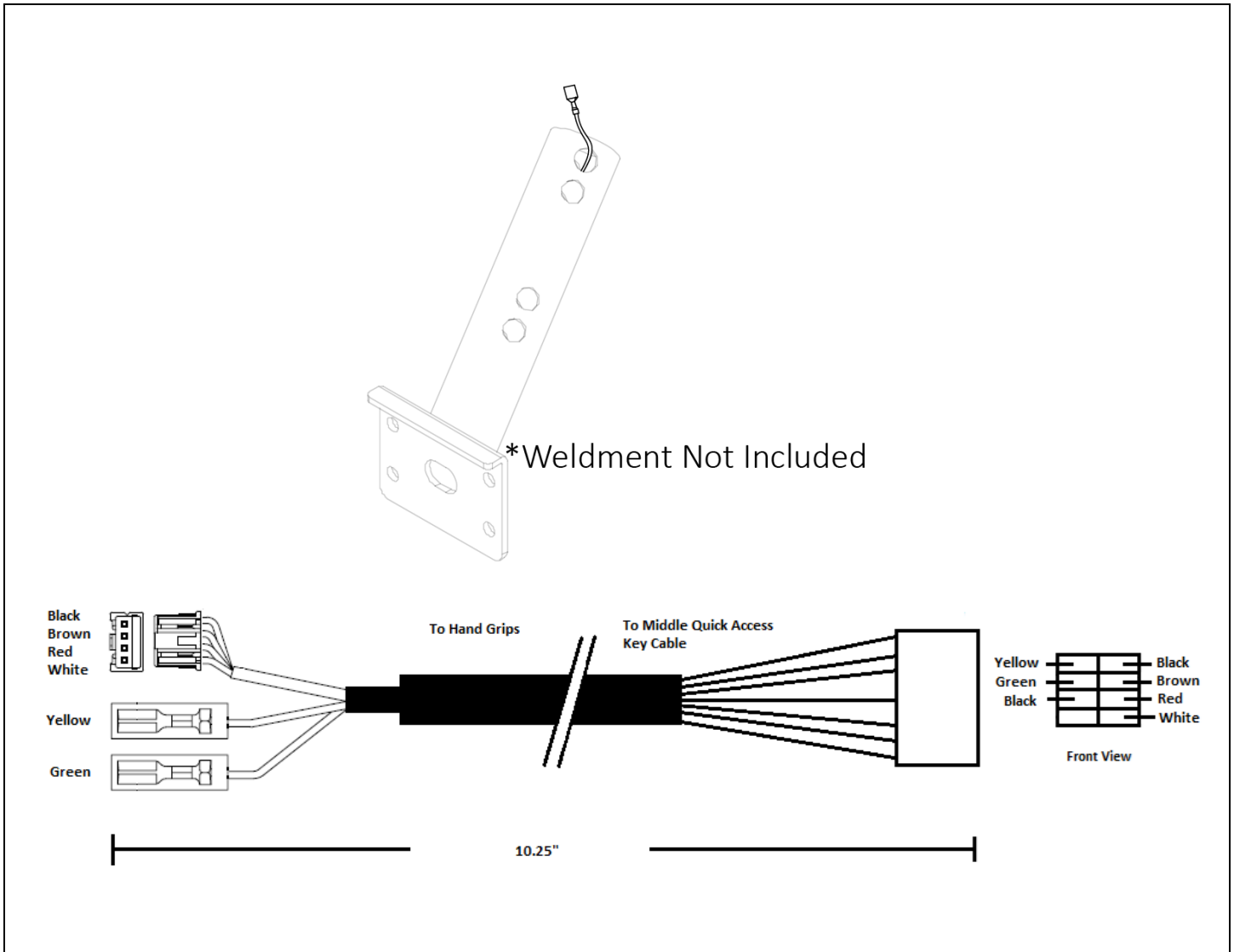
Key No	Vendor Part No.	TRUE Part Number	Description	Qty
124	RD-02-0006	70589300	Click Touch Thumbswitch (Right) Speed	1



TRUE FITNESS®

TRUE Part No: 7TCS0010

Upper Quick Access Key Cable w/CHR



Bill of Material:

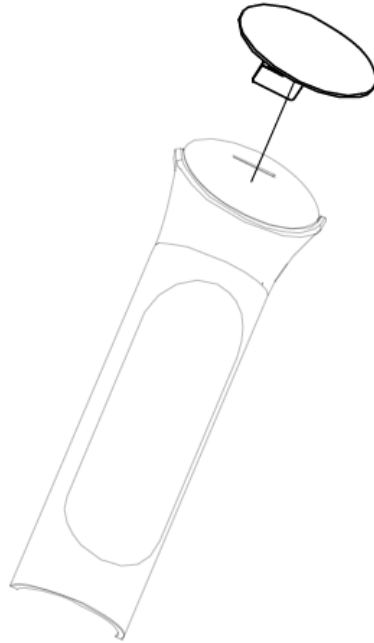
Key No	Vendor Part No.	TRUE Part Number	Description	Qty
136D	XL-1535	7TCS0010	Upper Quick Access Key Cable w/CHR	1



TRUE FITNESS®

TRUE Part No: **70589200**

Left Click Touch Thumbswitch (Incline)



*CHR Grip Not Included

Bill of Material:

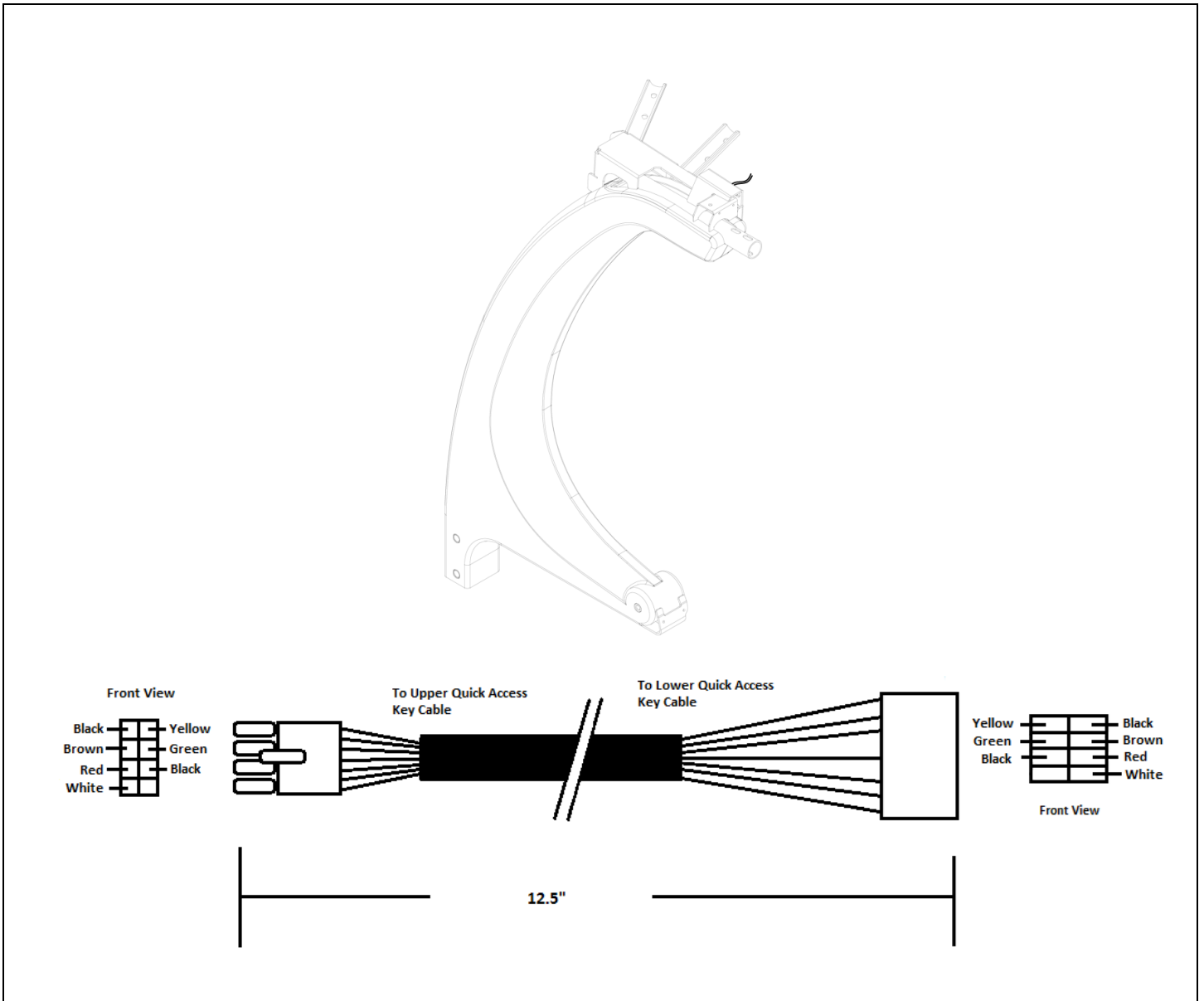
Key No	Vendor Part No.	TRUE Part Number	Description	Qty
123	RD-02-0005	70589200	Click Touch Thumbswitch (Left) Incline	1



TRUE FITNESS®

TRUE Part No: 7TCS0009

Mid Quick Access Key Cable w/CHR



Bill of Material:

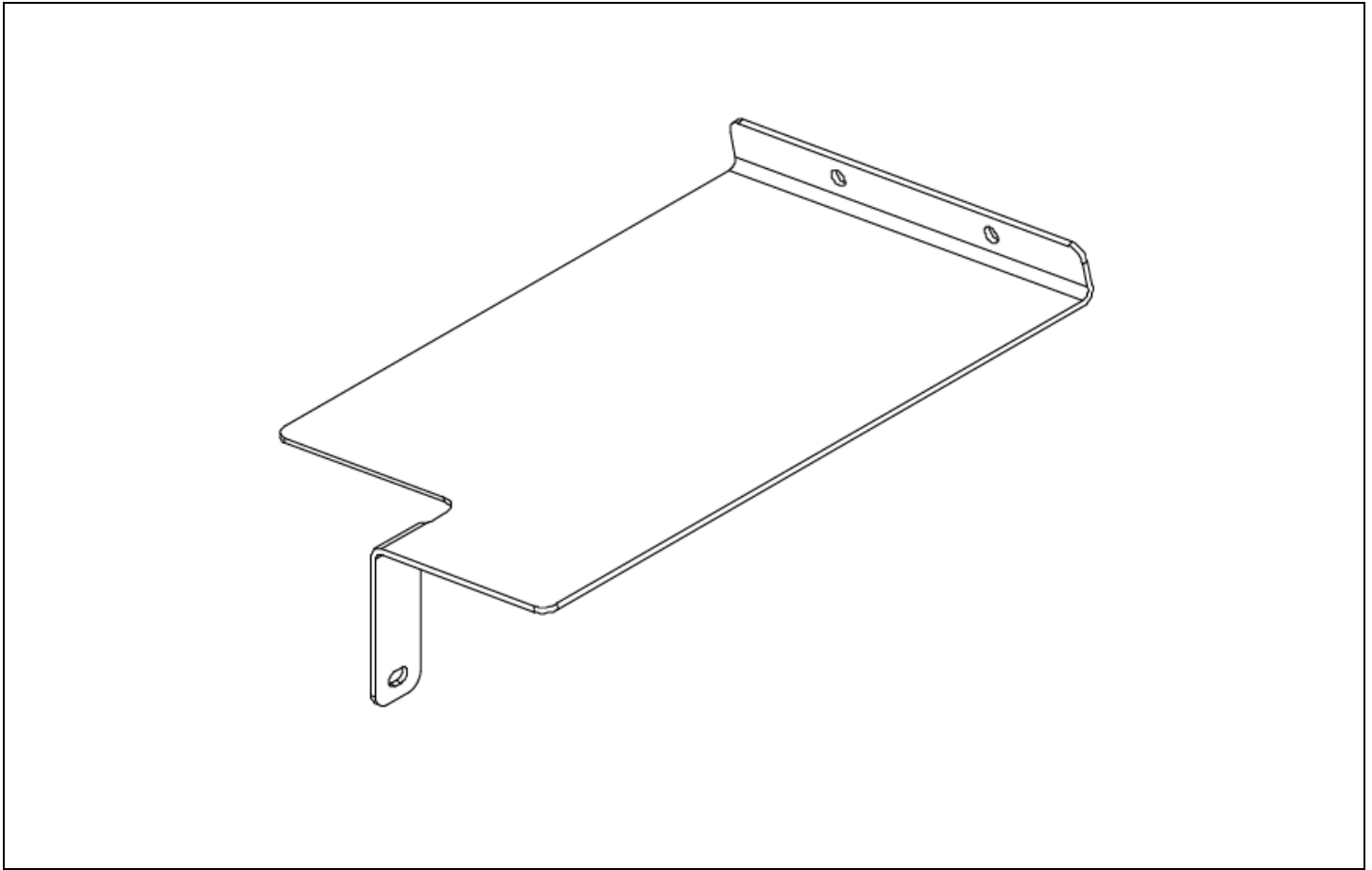
Key No	Vendor Part No.	TRUE Part Number	Description	Qty
136C	XL-1534	7TCS0009	Mid Quick Access Key Cable w/CHR	1



TRUE FITNESS®

TRUE Part No: **7R482700**

Motor Pan Water Shield



Bill of Material:

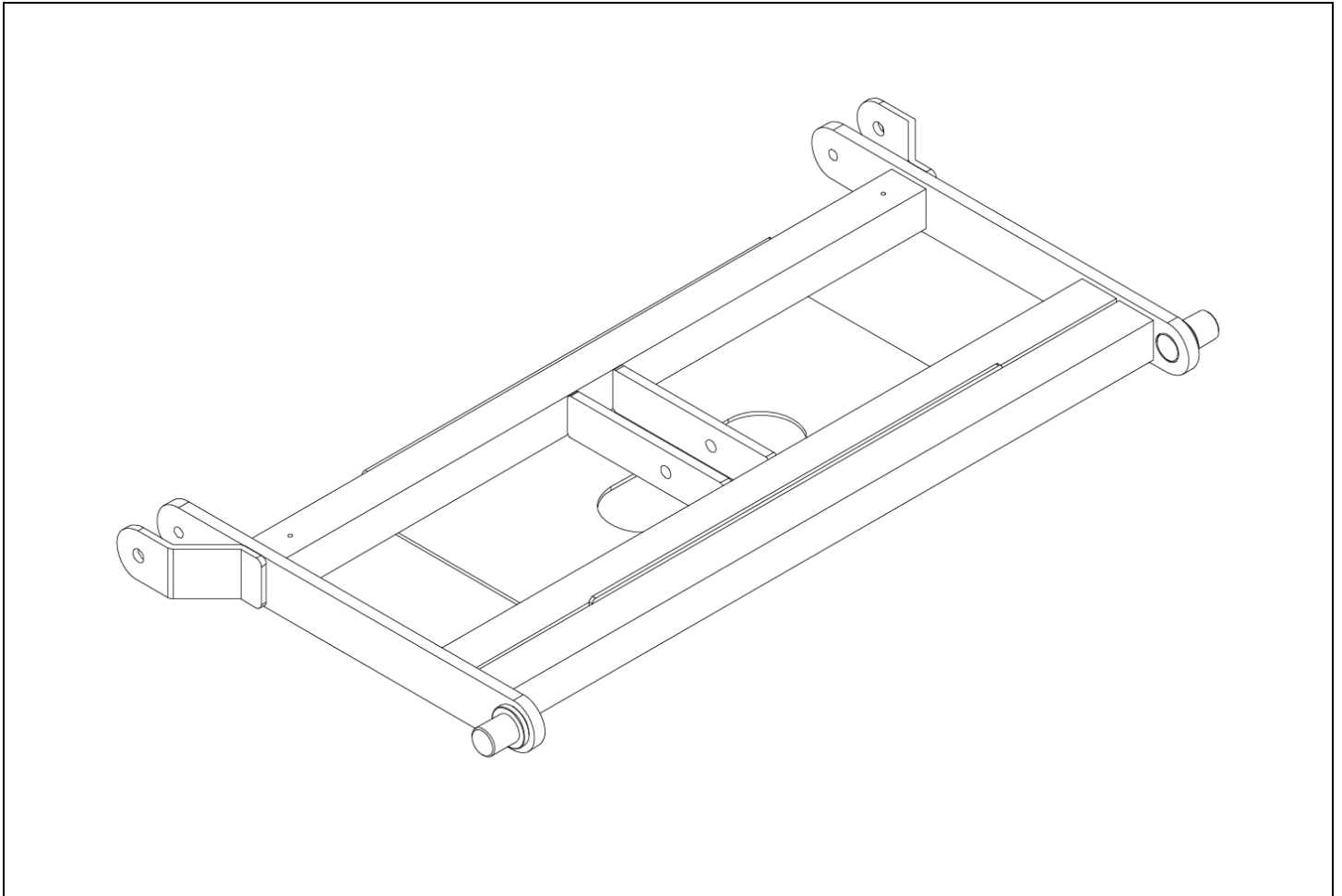
Key No	Vendor Part No.	TRUE Part Number	Description	Qty
53	NO-4499	7R482700	Motor Pan Water Shield	1



TRUE FITNESS®

TRUE Part No: **7TCS0002**

Incline Rack



Bill of Material:

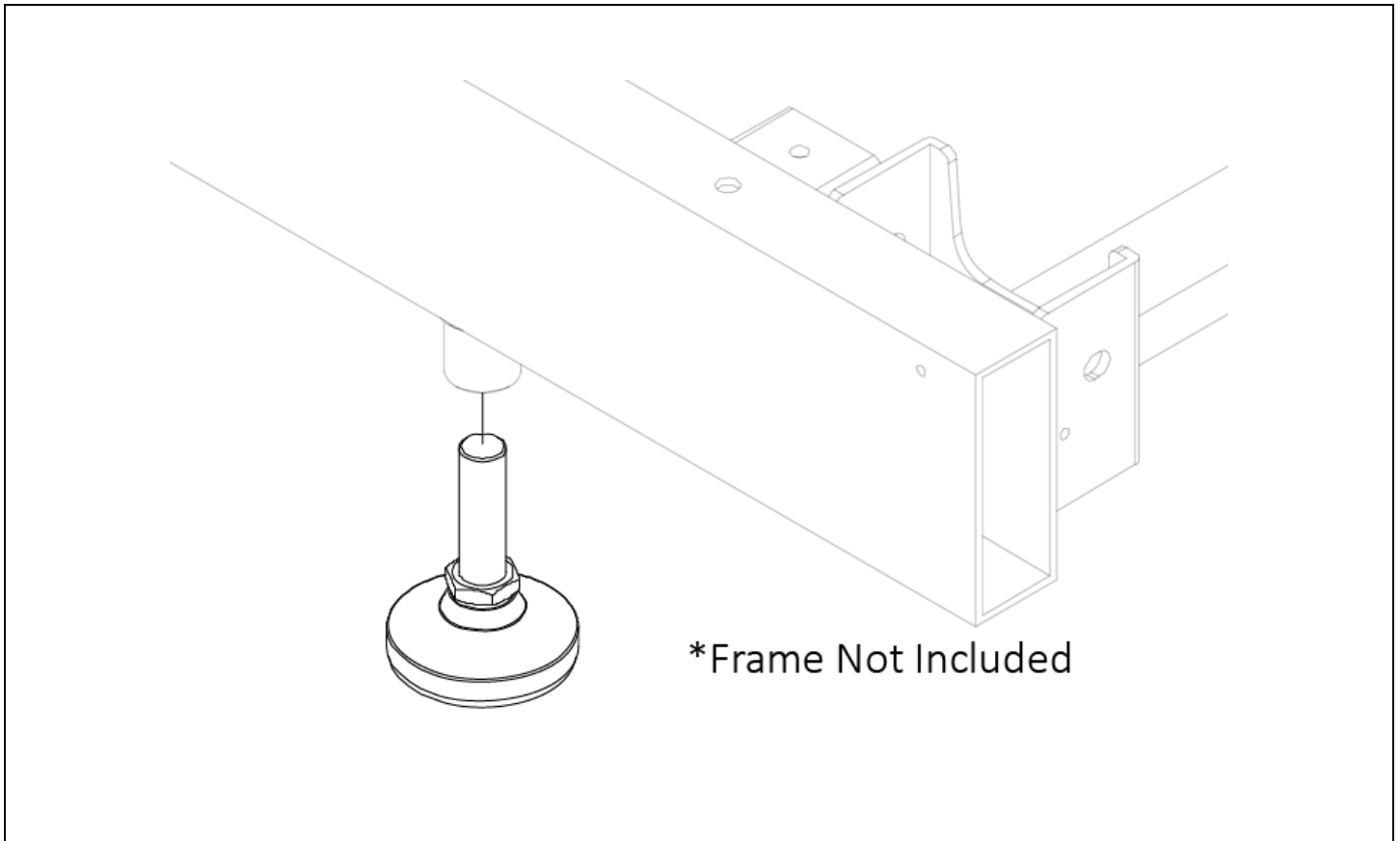
Key No	Vendor Part No.	TRUE Part Number	Description	Qty
44	PEA-HCMP6C12-C20	7TCS0002	Incline Rack	1



TRUE FITNESS®

TRUE Part No: **7C461100**

Leveling Foot 2 ½" w/Jam Nut



Bill of Material:

Key No	Vendor Part No.	TRUE Part Number	Description	Qty
84	PN-BF5024	7C461100	Leveling Foot 2 ½" w/Jam Nut	1



TRUE FITNESS®

TRUE Part No: **70309500**

Domed Plug – Motor Cover



Bill of Material:

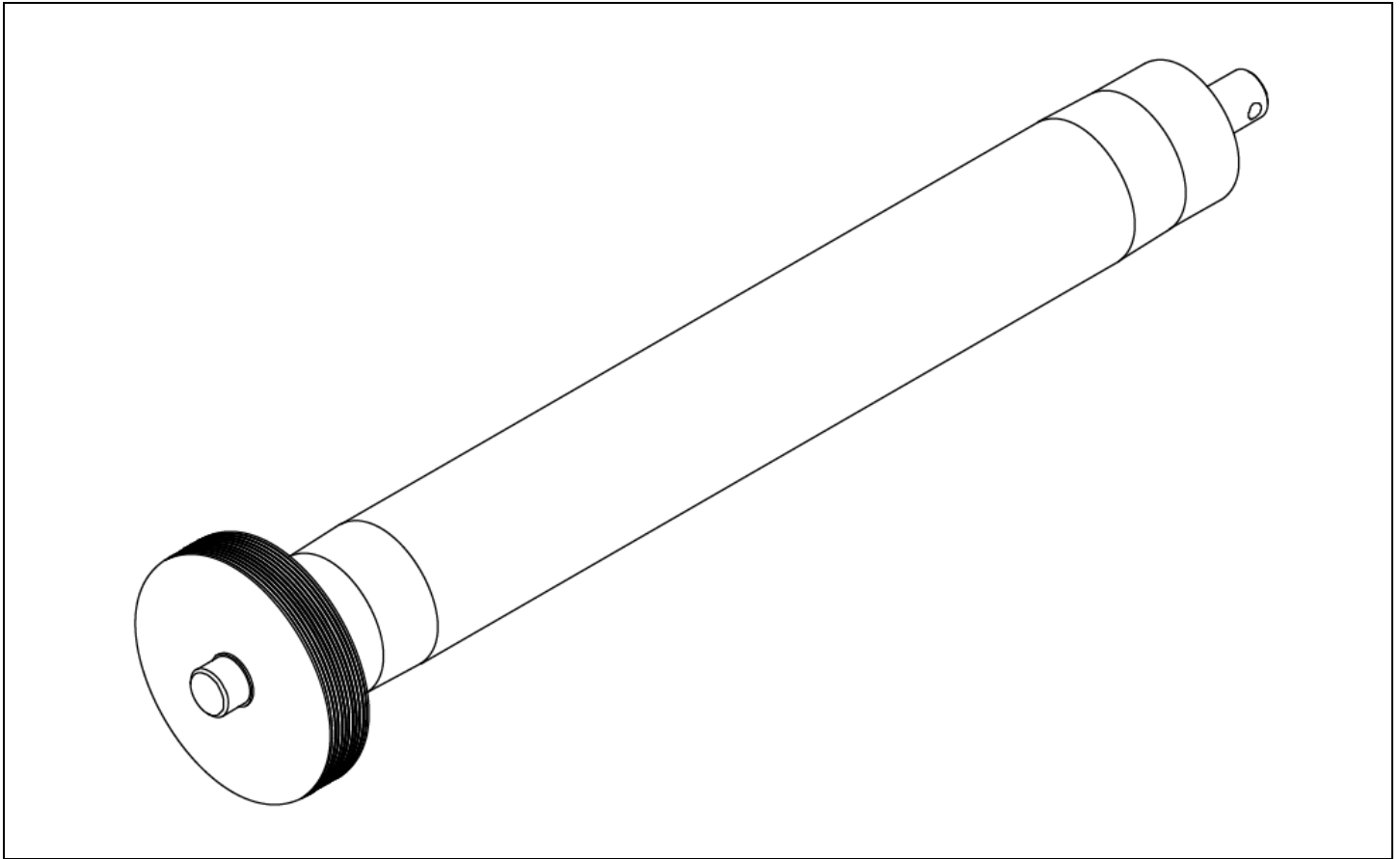
Key No	Vendor Part No.	TRUE Part Number	Description	Qty
107A	P-2608	70309500	Domed Plug – Motor Cover	1



TRUE FITNESS®

TRUE Part No: **7CST0007**

Front Roller



Bill of Material:

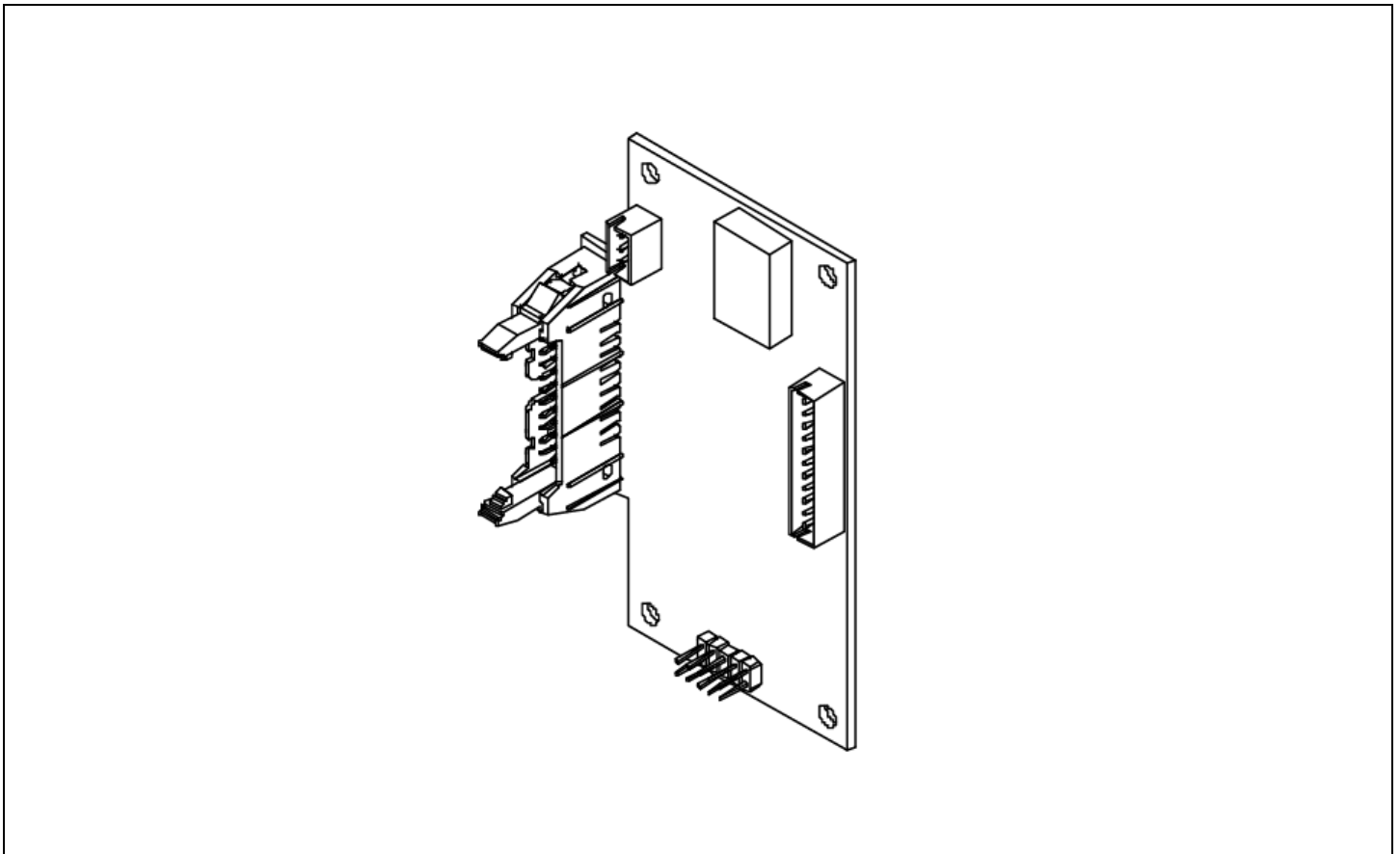
Key No	Vendor Part No.	TRUE Part Number	Description	Qty
63	NRL-0272B	7CST0007	Front Roller	1



TRUE FITNESS®

TRUE Part No: **70595400**

Smart Card (2014)



Bill of Material:

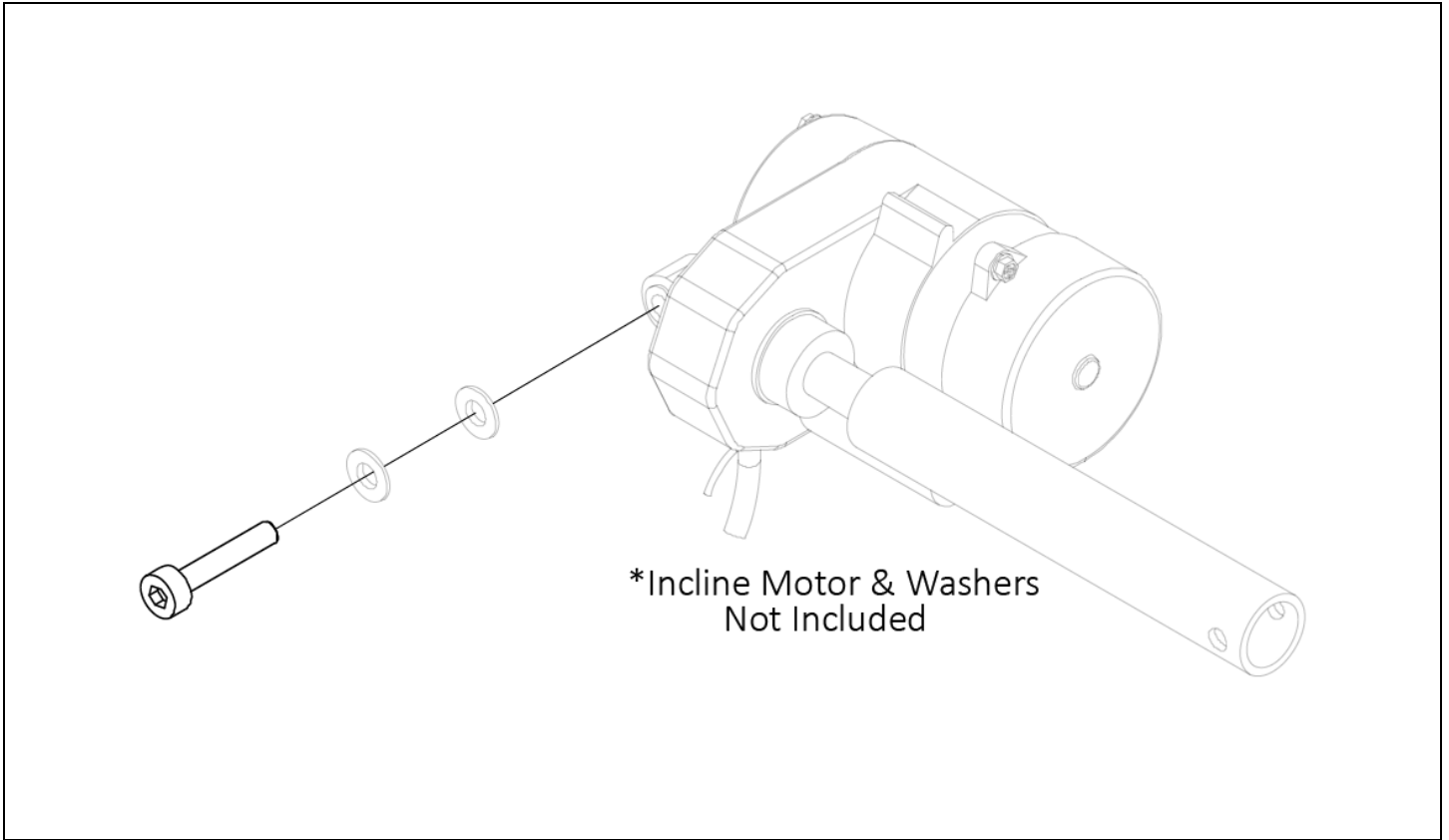
Key No	Vendor Part No.	TRUE Part Number	Description	Qty
156	XRB-028-021B	70595400	Smart Card IBP2T	1



TRUE FITNESS®

TRUE Part No: **70183600**

Clevis Pin 3/8x1 3/4



Bill of Material:

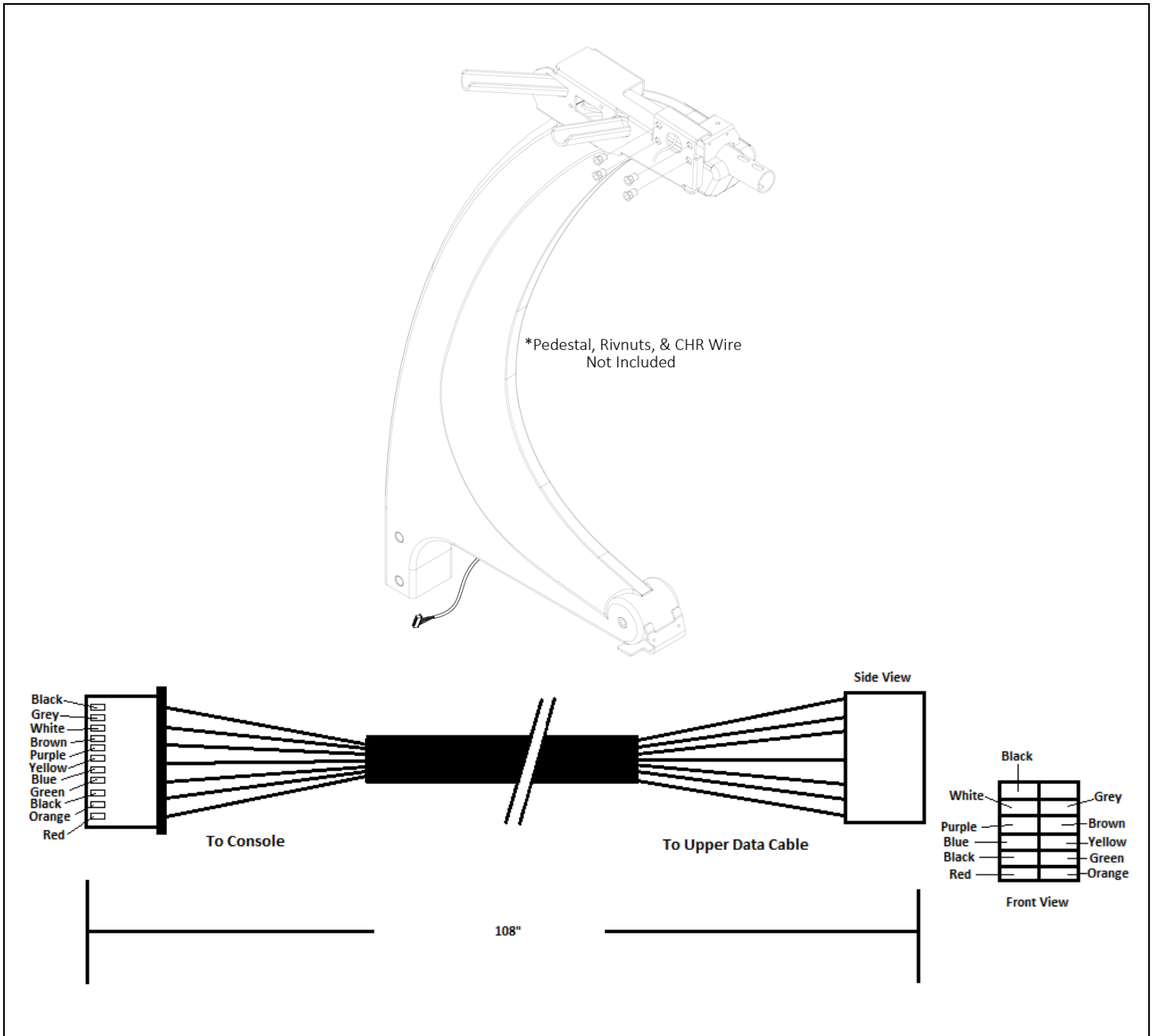
Key No	Vendor Part No.	TRUE Part Number	Description	Qty
40	SK-511	70183600	Clevis Pin 3/8x1 3/4 Under Head/ZN	1



TRUE FITNESS®

TRUE Part No: **7TCS0021**

Lower Data Cable 108"



Bill of Material:

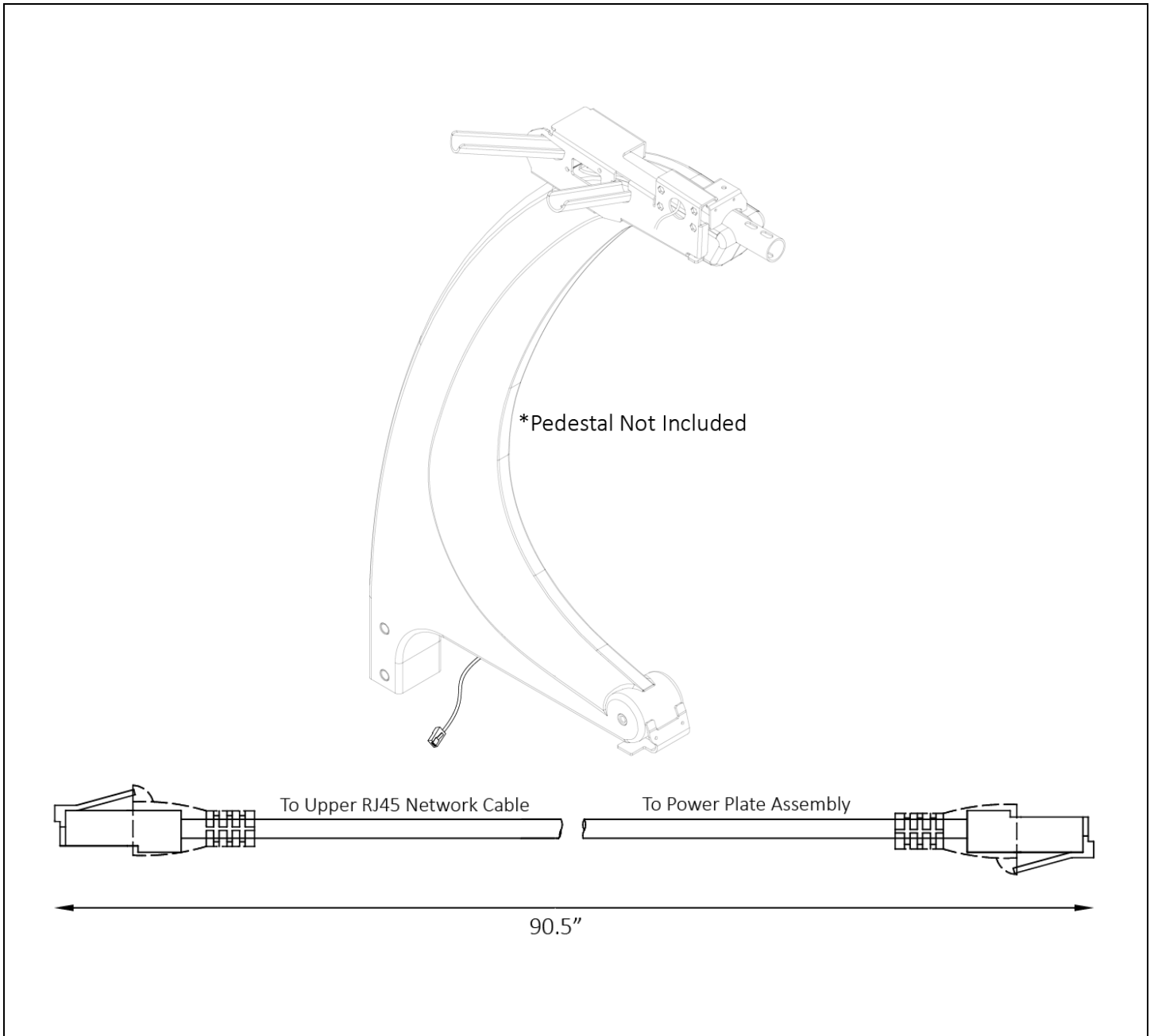
Key No	Vendor Part No.	TRUE Part Number	Description	Qty
219A	XL-1053B	7TCS0021	Lower Data Cable 108" 12P+11P	1



TRUE FITNESS®

TRUE Part No: 7TCS0019

Lower RJ45 Network Cable



Bill of Material:

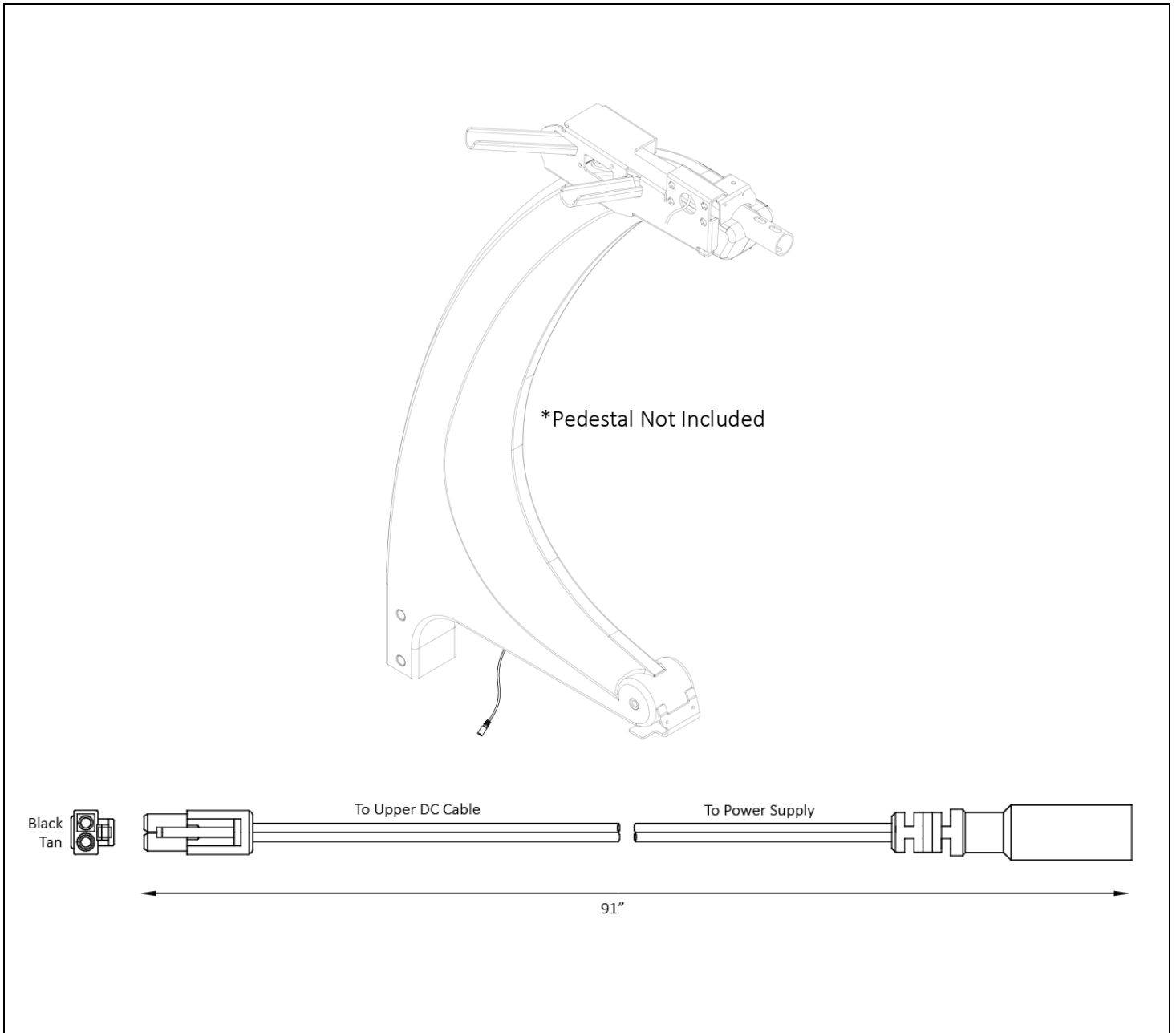
Key No	Vendor Part No.	TRUE Part Number	Description	Qty
218A	XL-1552B	7TCS0019	Lower RJ45 Network Cable	1



TRUE FITNESS®

TRUE Part No: **7TCS0014**

Lower External DC Pedestal Extension Cable



Bill of Material:

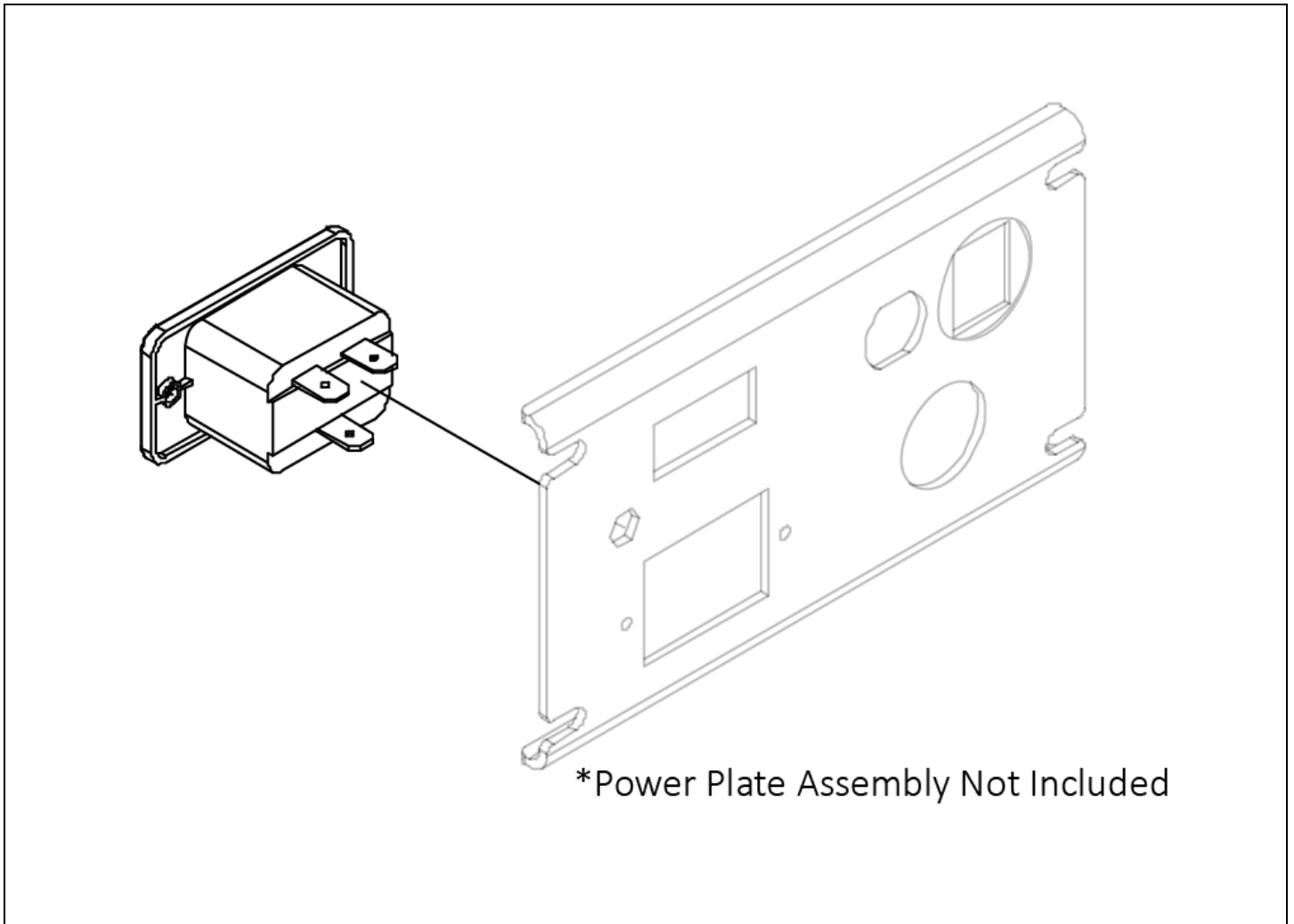
Key No	Vendor Part No.	TRUE Part Number	Description	Qty
173	XL-1532B	7TCS0014	Lower External DC Pedestal Extension Cable	1



TRUE FITNESS®

TRUE Part No: **70319600**

Power Inlet



Bill of Material:

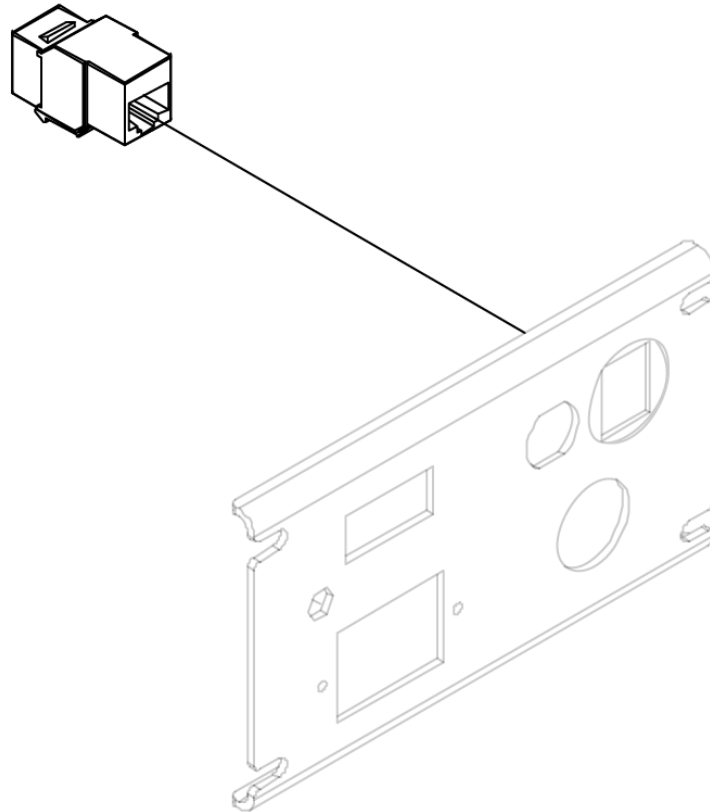
Key No	Vendor Part No.	TRUE Part Number	Description	Qty
6	XEH-003-004	70319600	Power Inlet	1



TRUE FITNESS®

TRUE Part No: **7RB0086**

RJ45 Connector



*Power Inlet Plate Not Included

Bill of Material:

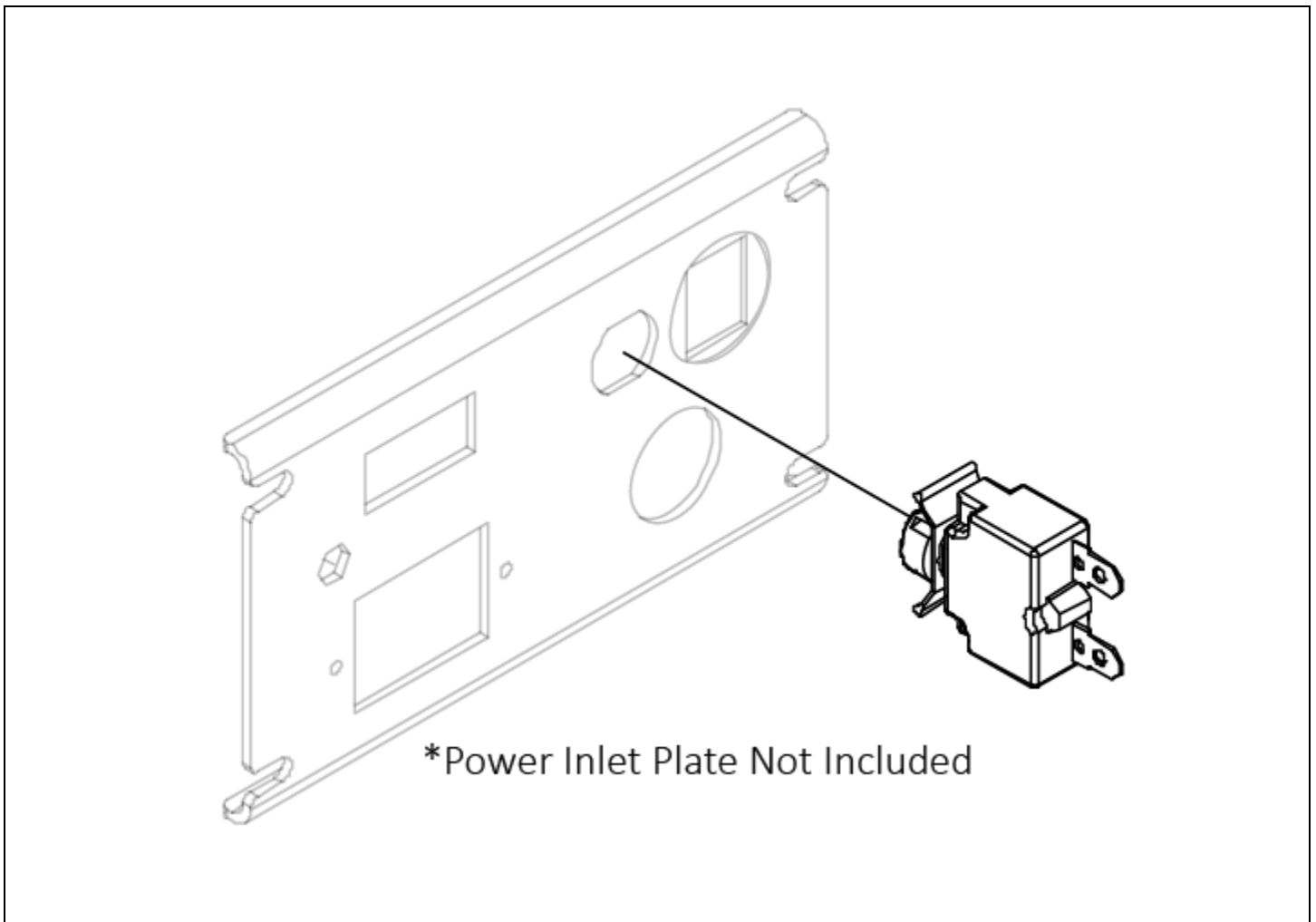
Key No	Vendor Part No.	TRUE Part Number	Description	Qty
92	XEK-051	7RB0086	RJ45 Connector	1



TRUE FITNESS®

TRUE Part No: **70348600**

Switch/Circuit Breaker 20 Amp



Bill of Material:

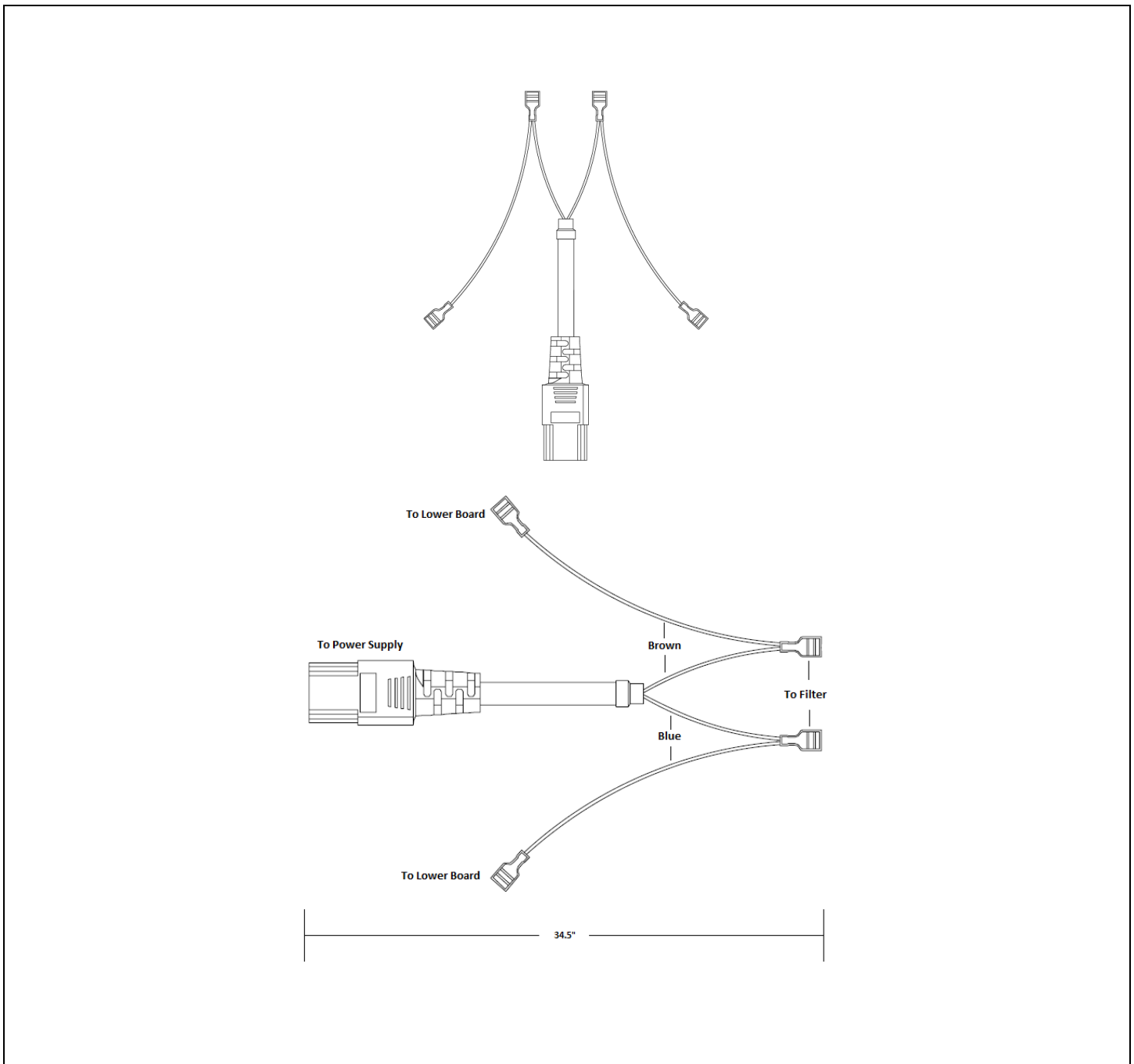
Key No	Vendor Part No.	TRUE Part Number	Description	Qty
10	XEG-20-003	70348600	Switch/Brkr, 20 Amp (P&B #W28-XQ1A-20)	1



TRUE FITNESS®

TRUE Part No: **7CT0076**

Adapter Power Line Input 120V Cable 34 ½ "



Bill of Material:

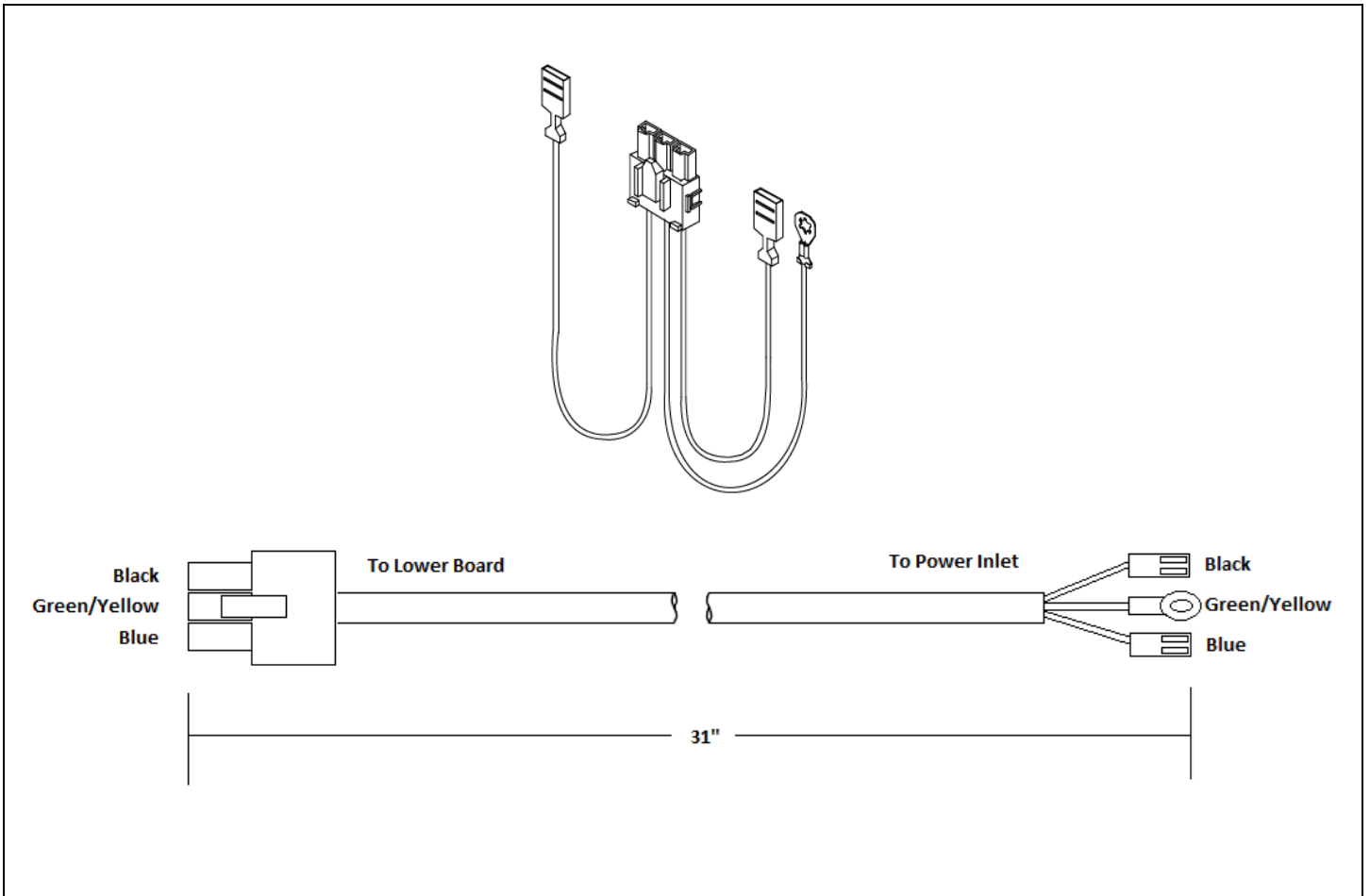
Key No	Vendor Part No.	TRUE Part Number	Description	Qty
93A	XL-873	7CT0076	Adapter Power Line Input 120V Cable 34 ½ "	1



TRUE FITNESS®

TRUE Part No: **7C477700**

ACMC Power Inlet Cable



Bill of Material:

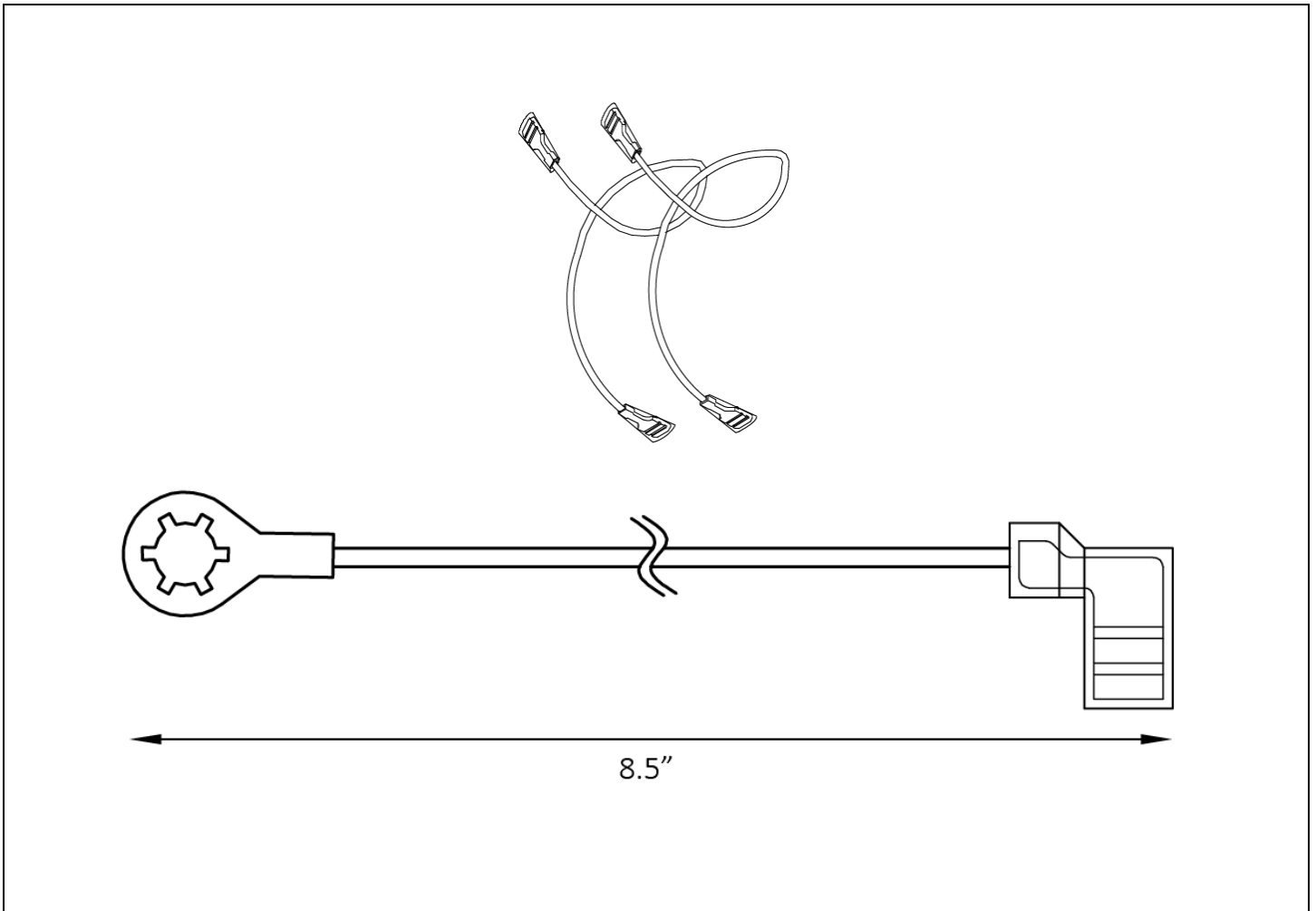
Key No	Vendor Part No.	TRUE Part Number	Description	Qty
93	XL-796	7C477700	ACMC Power Inlet Cable	1



TRUE FITNESS®

TRUE Part No: **7C528300**

Speed Sensor Ground Wire



Bill of Material:

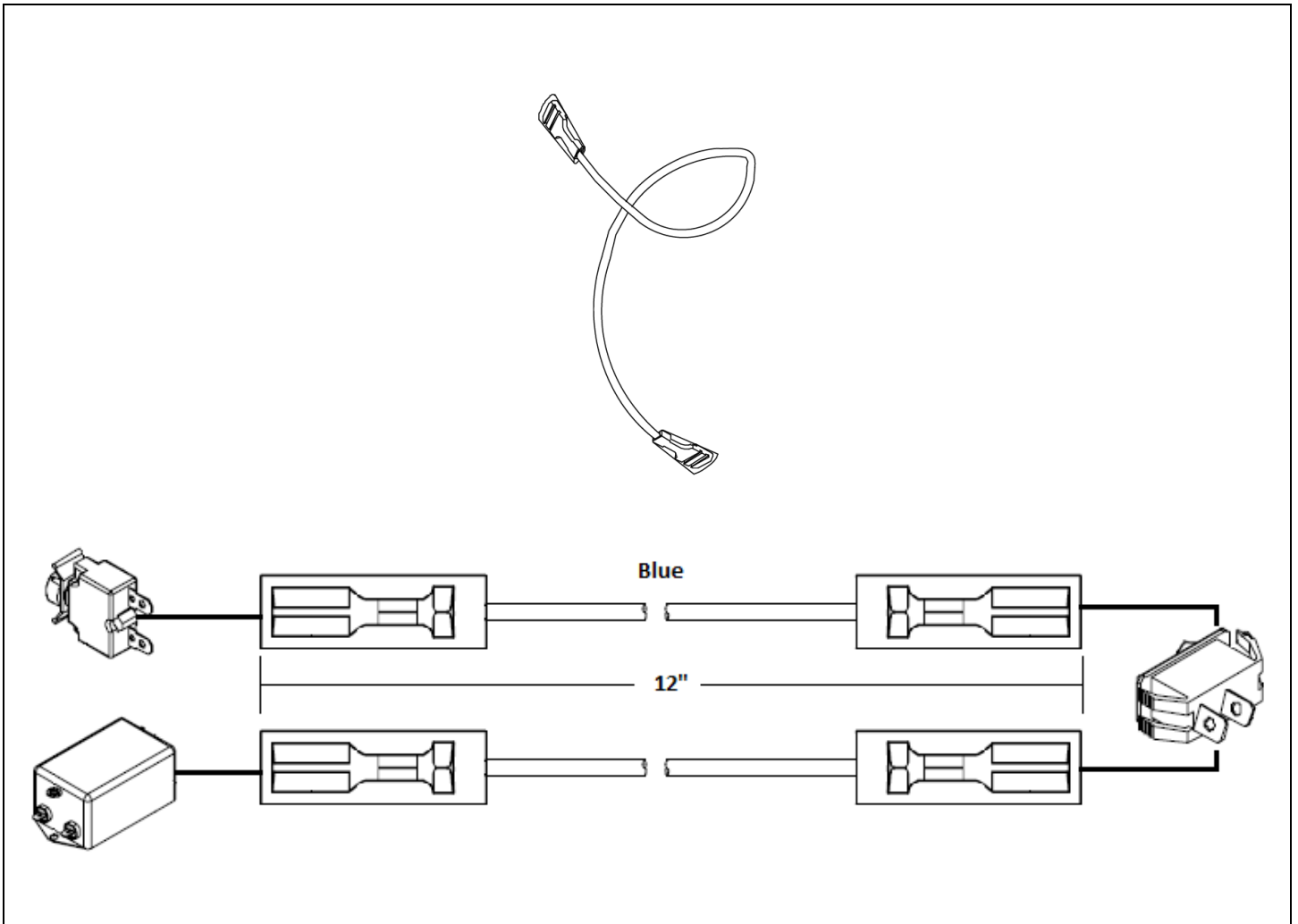
Key No	Vendor Part No.	TRUE Part Number	Description	Qty
91	XLT061	7C528300	Speed Sensor Ground Wire	1



TRUE FITNESS®

TRUE Part No: **70362500**

Circuit Breaker/Switch to Filter Wire Assembly



Bill of Material:

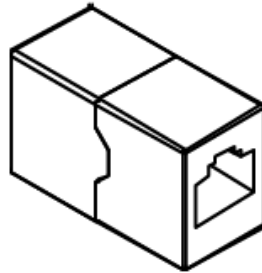
Key No	Vendor Part No.	TRUE Part Number	Description	Qty
89	XLT059	70362500	Wire Assy, Crkt Brkr/Switch to Filter EX	1



TRUE FITNESS®

TRUE Part No: **7TCS0025**

RJ45 Connector



Bill of Material:

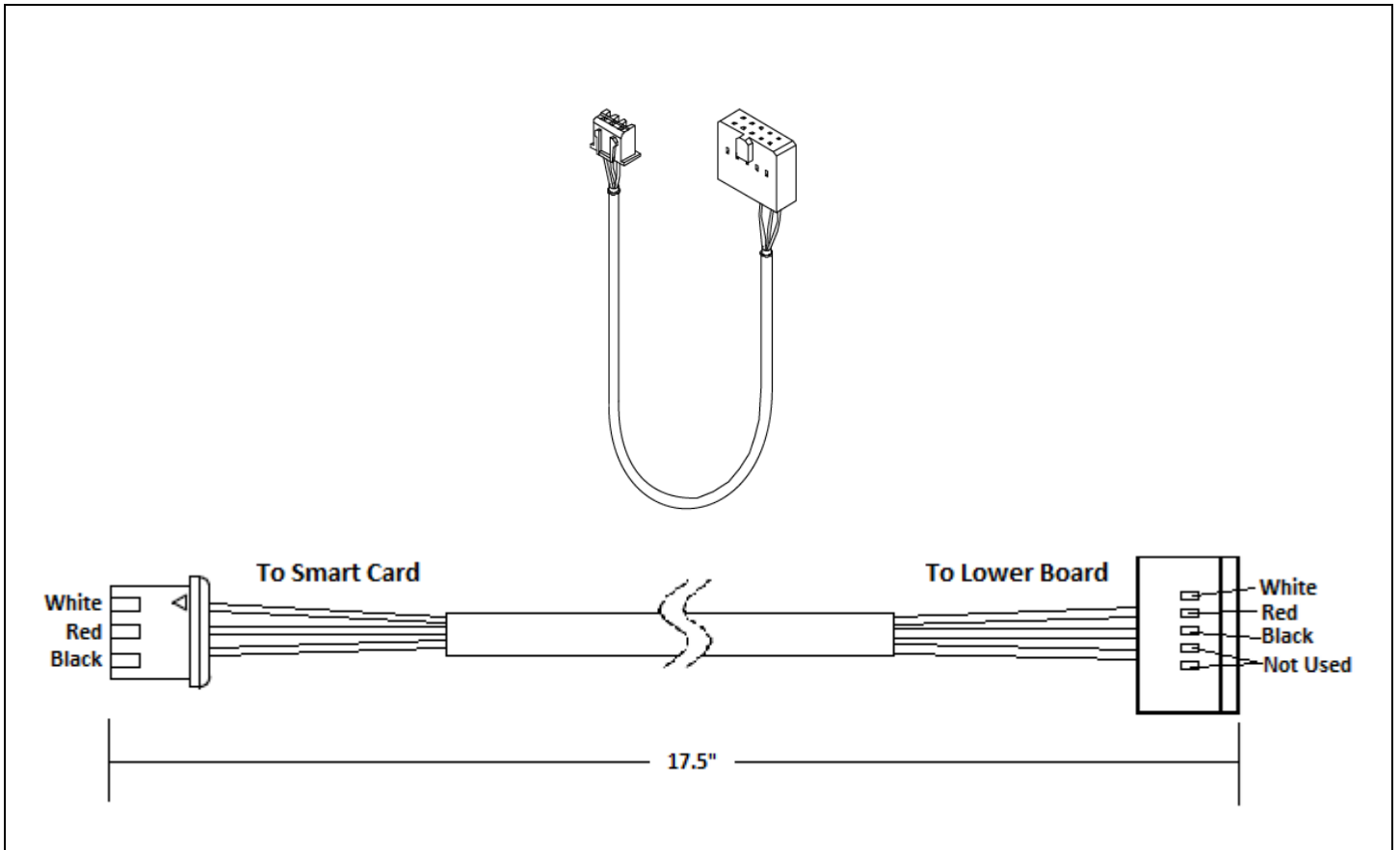
Key No	Vendor Part No.	TRUE Part Number	Description	Qty
92A	XEK-051A	7TCS0025	RJ45 Connector	1



TRUE FITNESS®

TRUE Part No: **7CT0028**

Comm Cable RS232 17"



Bill of Material:

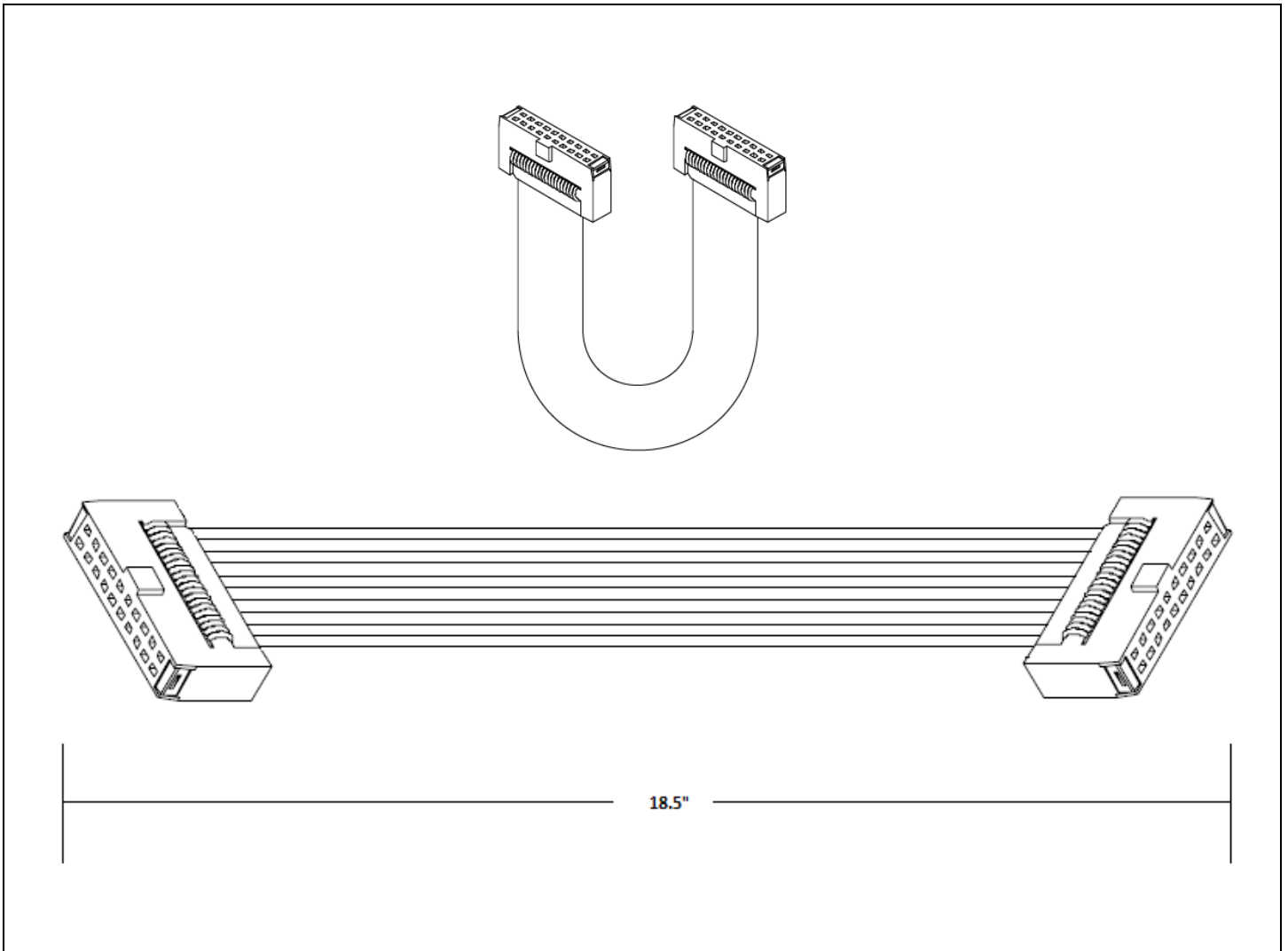
Key No	Vendor Part No.	TRUE Part Number	Description	Qty
176	XL-1048	7CT0028	Comm Cable RS232 17"	1



TRUE FITNESS®

TRUE Part No: **7CT0029**

20 Pin Data Interface Cable



Bill of Material:

Key No	Vendor Part No.	TRUE Part Number	Description	Qty
177	XL-1049	7CT0029	20 Pin Data Interface Cable	1